



AFF80X0 Shelf Cabling with DS224C Shelves

Cabling Diagrams

TABLE OF CONTENTS

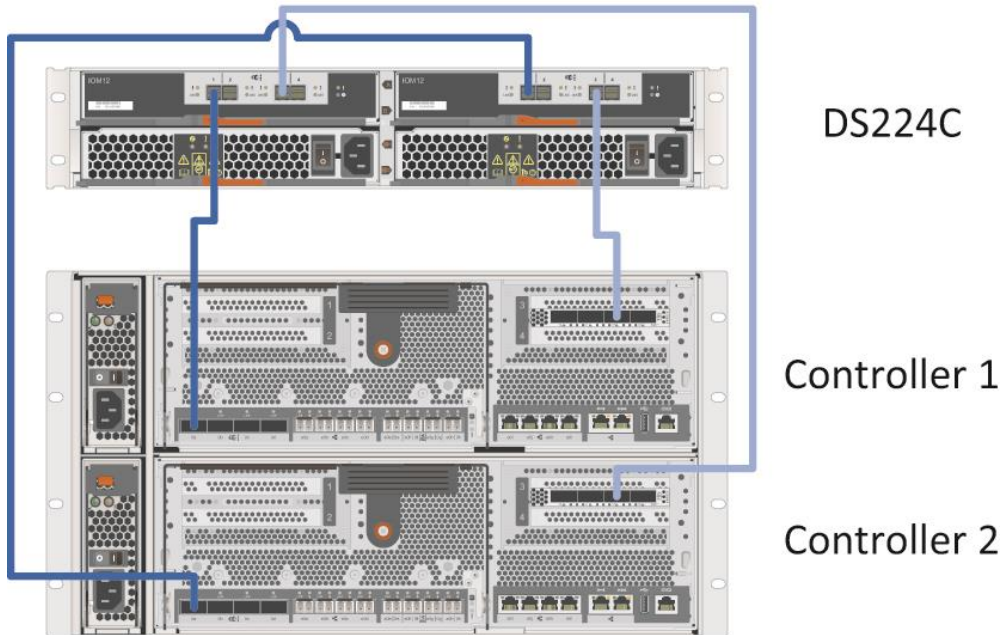
| | | |
|----------|--|----------|
| 1 | Available SAS ports..... | 3 |
| 2 | Multipath HA configuration with one single-shelf stack | 4 |
| 2.1 | Using port pair 0a,3b..... | 4 |
| 3 | Multipath HA configuration with two single-shelf stacks..... | 5 |
| 3.1 | Using port pair 0a,3b & 0c,3d..... | 5 |
| 4 | Multipath HA configuration with two double-shelf stacks | 6 |
| 4.1 | Using port pair 0a,3b & 0c,3d..... | 6 |

1 Available SAS ports

| Available SAS | | | | | | |
|---|----------------|--------------------------------|------------|----|----|----|
| | 0a,0b,0c,0d | | | | | |
| | 3a,3b,3c,3d | | | | | |
| Data Path Cabling Worksheet (4 SAS Ports) | | | | | | |
| Controller SAS Ports | Controller | Cable to disk Shelf IOM | Stack | | | |
| | | | 1 | 2 | 3 | 4 |
| | | | Port Pairs | | | |
| A and C | Controller 1 / | To first shelf IOM A SQR (1/2) | 0a | 3a | 0c | 3c |
| | Controller 2 / | To first shelf IOM B SQR (1/2) | | | | |
| | | | 0b | 3b | 0d | 3d |
| B and D | Controller 1 / | To last shelf IOM B CIR (3/4) | 3b | 0d | 3d | 0b |
| | Controller 2 / | To last shelf IOM A CIR (3/4) | | | | |

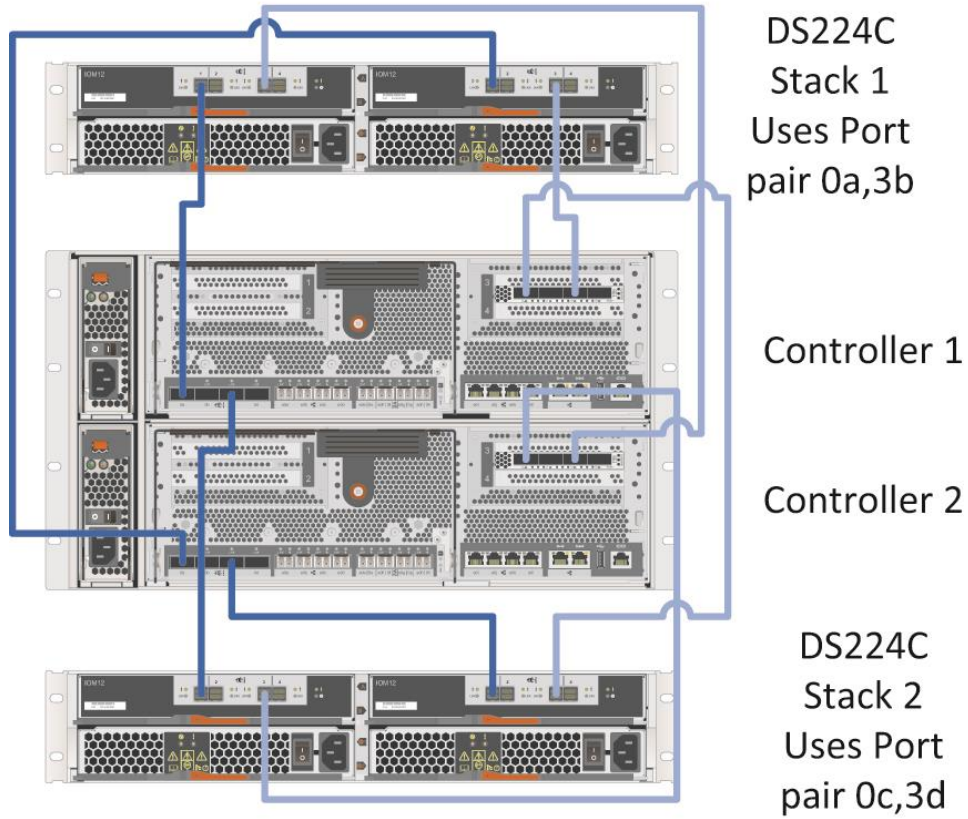
2 Multipath HA configuration with one single-shelf stack

2.1 Using port pair 0a,3b



3 Multipath HA configuration with two single-shelf stacks

3.1 Using port pair 0a,3b & 0c,3d



4 Multipath HA configuration with two double-shelf stacks

4.1 Using port pair 0a,3b & 0c,3d

