

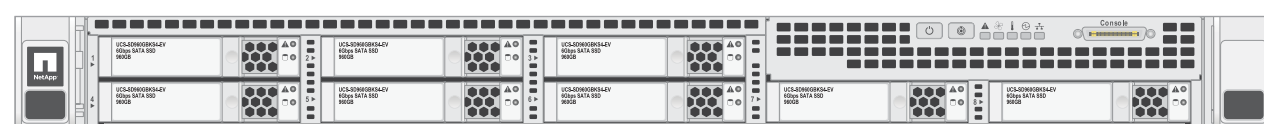
SolidFire C-Series Storage Node

Installation and Setup Instructions

Prepare for installation | 1



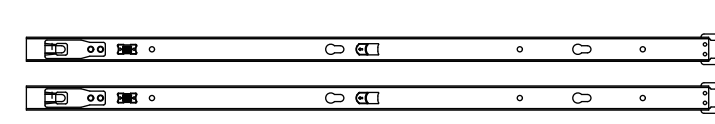
In the box



SolidFire C-Series



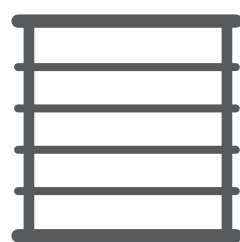
Power cables (2)



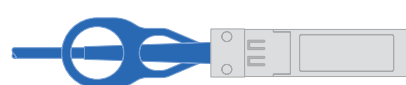
Slide Rail Kit
Two UCSC-RAILB-M4 Ball Bearing Rails
Cisco part UCSC-RAILB-M4



You provide



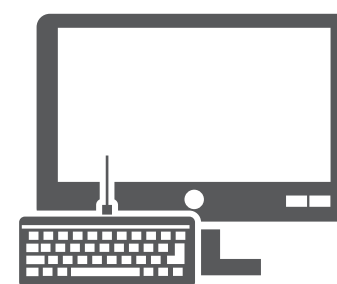
Rack space
1U per node



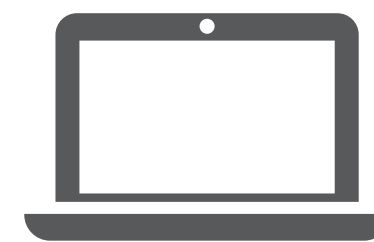
10GbE network cables (2)
Part number
X-SFP-H10GB-CU5M-R6



1GbE network cable for the
dedicated management port
(at least 3)
Part number X6562-R6 (5m).



Monitor with a VGA connection
and keyboard with a
standard USB connection



Windows client



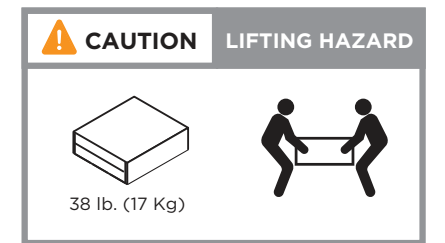
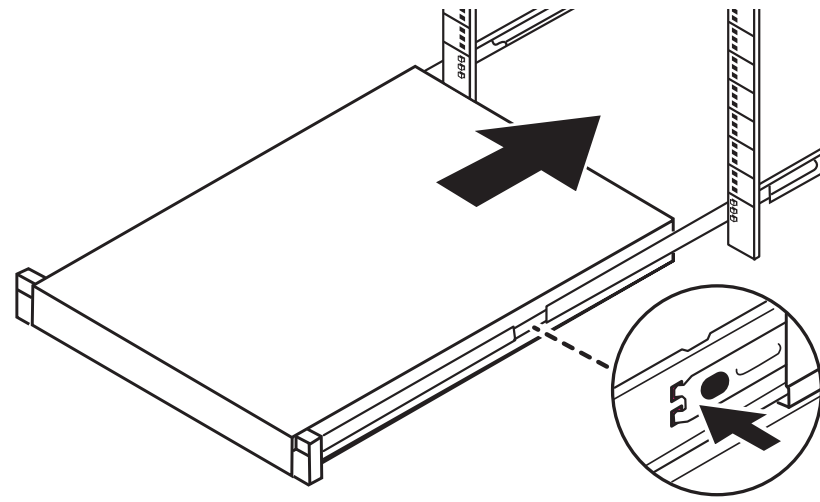
Access online

- **Register online:** <https://mysupport.netapp.com>
- **End User License Agreement:**
<http://www.netapp.com/us/media/netapp-solidfire-eula.pdf?Not3mp>
- **Cisco UCS C220 M4 Server Installation and Service Guide:**
http://www.cisco.com/c/en/us/td/docs/unified_computing/ucs/c/hw/C220M4/install/C220M4/install.html#20741
- **SolidFire Element Setup Guide:**
<http://www.netapp.com/us/media/SolidFire-Element-OS-9-Setup-Guide.pdf>
- **Hardware Universe (HWU):** <https://hwu.netapp.com/>

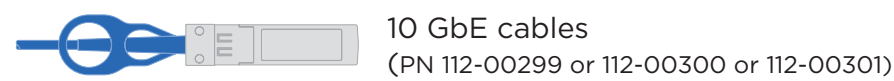
Install hardware | 2

1 Install hardware

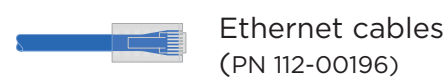
Install the rails and the node following the instructions for **Installing a node in a rack** in the *Cisco UCS C220 M4 Server Installation and Service Guide*.



2 Cable the node



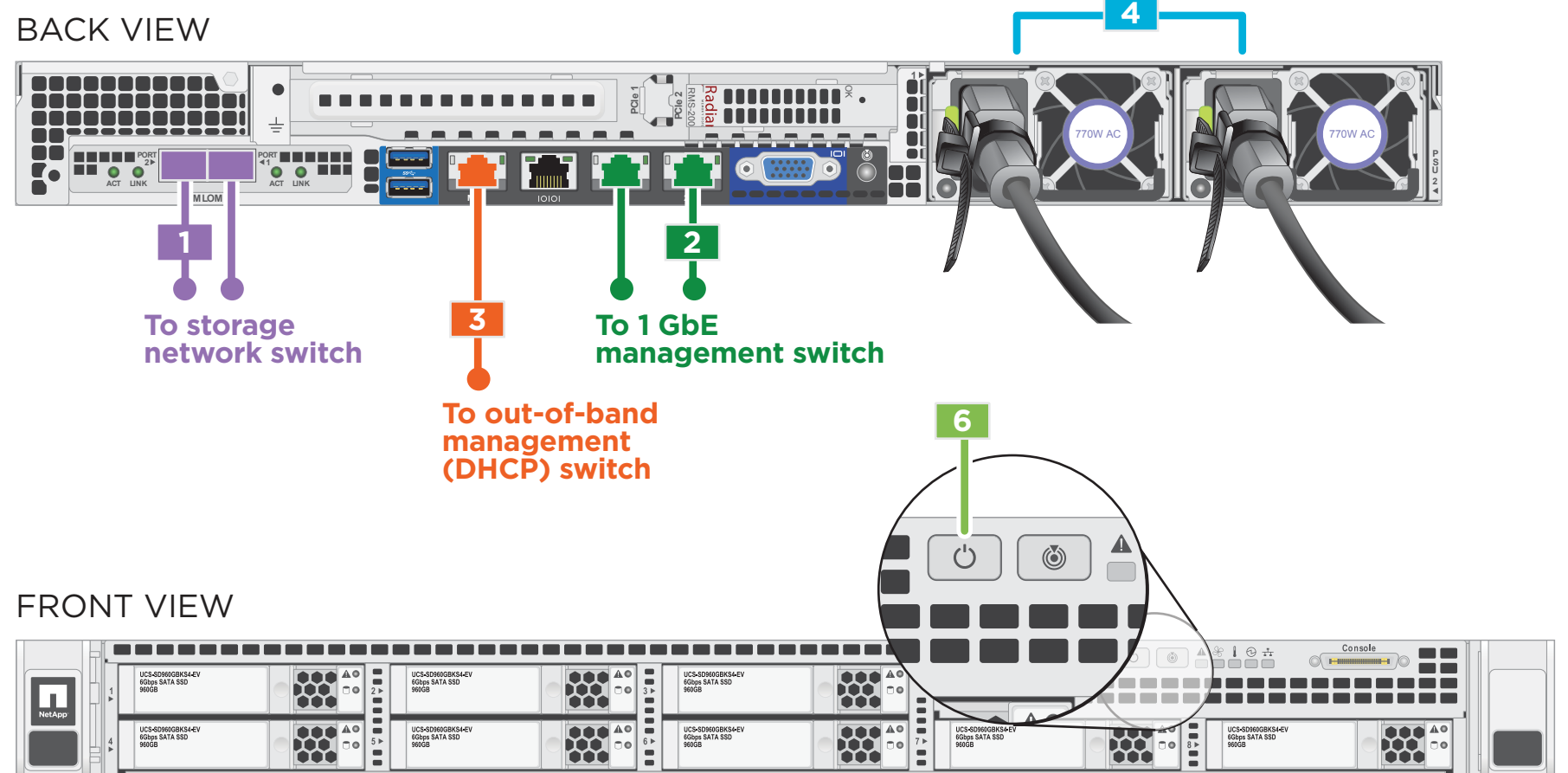
- 1 Connect 10GbE cables to the storage network switch.



- 2 Connect 1GbE cables to 1GbE management switch.
- 3 Connect 1GbE cable to out-of-band management (DHCP) switch.



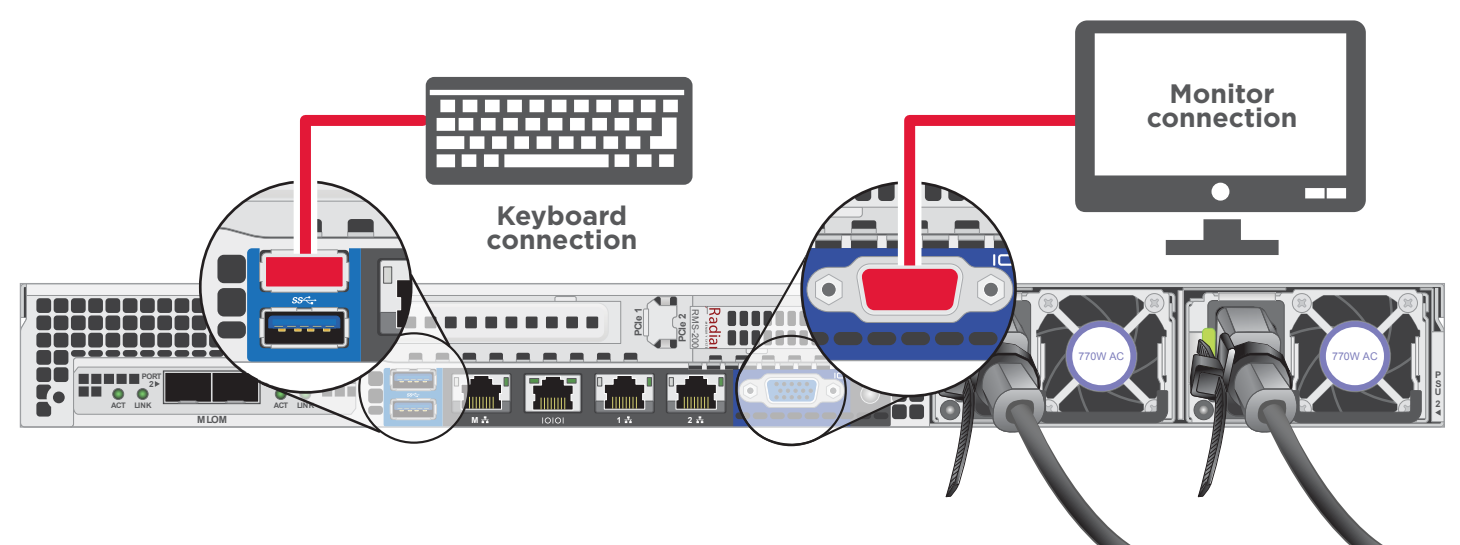
- 4 Connect both power cords to the node.
- 5 Plug the power cords to a suitable power outlet.
- 6 Power on the node.



Configure the node | 3

1 Configure the node using Terminal User Interface (TUI)

- Attach keyboard to the USB port and monitor to the VGA port on the node. Note: The node should be powered on.
- Refer to the *SolidFire Element Setup Guide* for instructions on **Configuring Nodes Using the TUI**.



2 Create a new cluster or add a node to an existing cluster using the Element OS WebUI

- From a Windows client on the same network as the newly configured node, access the Element OS by entering the node's IP address.
- Refer to the *SolidFire Element Setup Guide* for instructions on **Creating a New Cluster**.

