
Installing rails for H-series nodes

Before you install your NetApp HCI or SolidFire system, you need to install the rails that were shipped to you.

Before you begin

- You have received the box containing the rails and screws.
- You have a screwdriver.
- You must have determined the placement of the chassis in the rack.
- You have sufficient personnel to install the nodes into the rack.

Attention: Consider the following guidelines to ensure your safety while installing the rails:

- Install hardware from the bottom of the rack up to the top to prevent the equipment from toppling over.
- If your rack includes stabilizing devices, install them before you install the hardware.

About this task

There are different types of rack units available in the market. The installation steps might vary depending on the type of rack you have. Use the instructions provided here as a reference. You should also refer to the installation instructions that came with the rack you are using. The procedure for installing rails applies to the following hardware models:

- Two rack unit (2U), four-node NetApp HCI chassis that includes H410S storage nodes and H410C compute nodes
- 2U H610C chassis
- One rack unit (1U) H610S chassis

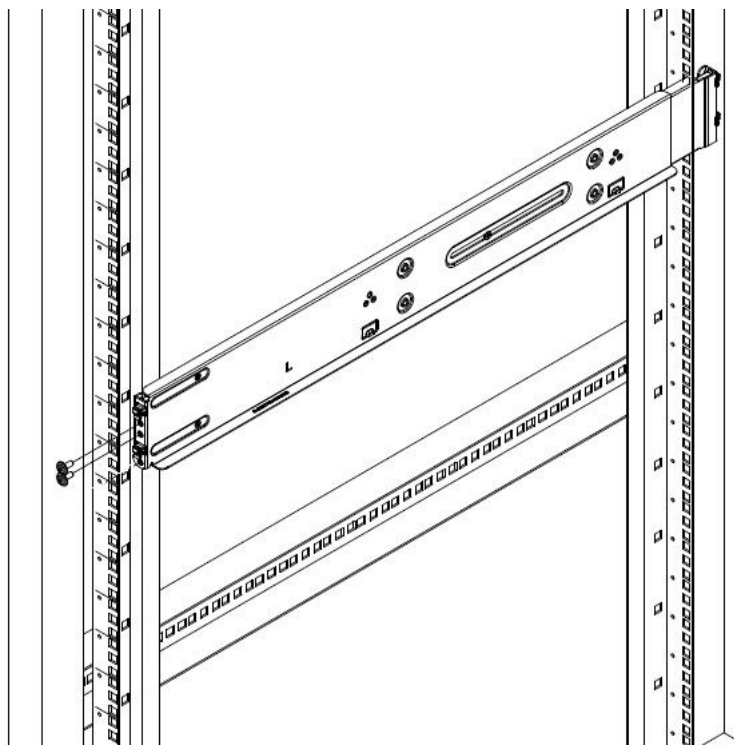
Note: In the case of H610C and H610S, the terms "node" and "chassis" are used interchangeably because node and chassis are not separate components, unlike in the case of the 2U, four-node chassis.

The rails for H410C and H410S nodes fit a rack between 29 inches and 33.5 inches in depth. When the rail is fully contracted, it is 28 inches long, and the front and rear sections of the rail are held together by only one screw.

Caution: If you install the chassis onto a fully contracted rail, the front and rear sections of the rail might separate.

Steps

1. If you are installing rails for a 2U, four-node NetApp HCI chassis, perform the following steps:
 - a. Align the front of the rail with the holes on the front post of the rack.
 - b. Push the hooks on the front of the rail into the holes on the front post of the rack and then down, until the spring-loaded pegs snap into the rack holes.
 - c. Secure the rail to the rack with screws. The following illustration shows the left rail being attached to the front of the rack:

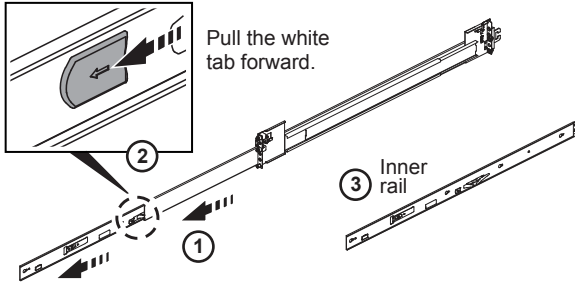


- d. Extend the rear section of the rail to the rear post of the rack.
- e. Align the hooks on the rear of the rail with the appropriate holes on the rear post.
Tip: Ensure that the rail is level.
- f. Mount the rear of the rail onto the rack, and secure the rail with screws.
- g. Perform all the above steps for the other side of the rack.

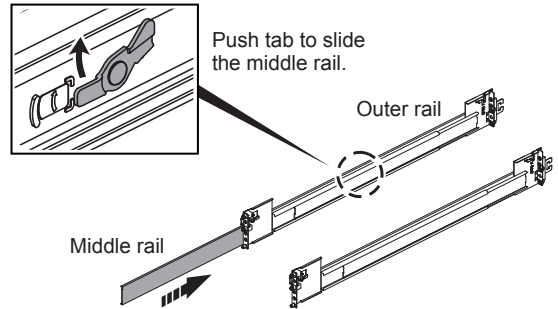
2. If you are installing rails for an H610C compute node, perform the following steps:

a. Install the rails as follows:

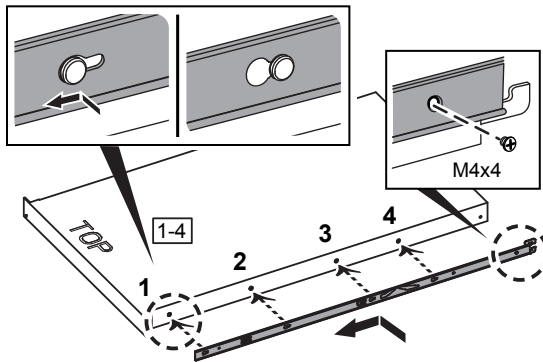
- i. Slide the inner rail out. The middle rail extends with it. Repeat for other side of the rail.



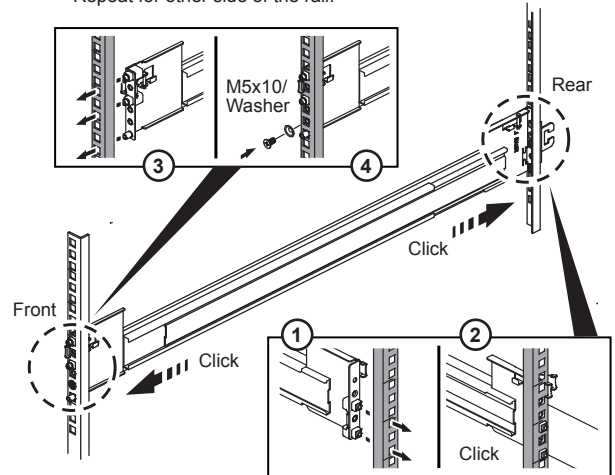
- ii. Push the extended middle rail back in. Repeat for other side of the rail.



- iii. Attach both inner rails (L and R) to either side of the node, and secure the rails with the screws provided in the box. Repeat for other side of the rail.

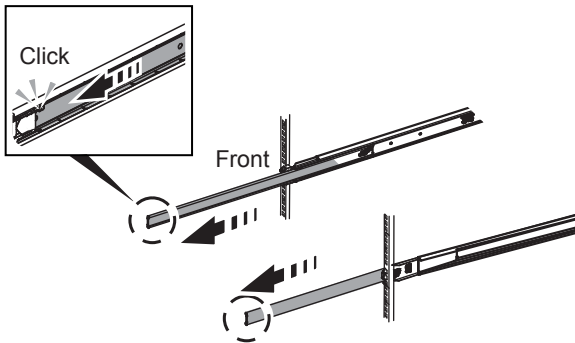


- iv. Attach outer rail to the rack. Repeat for other side of the rail.



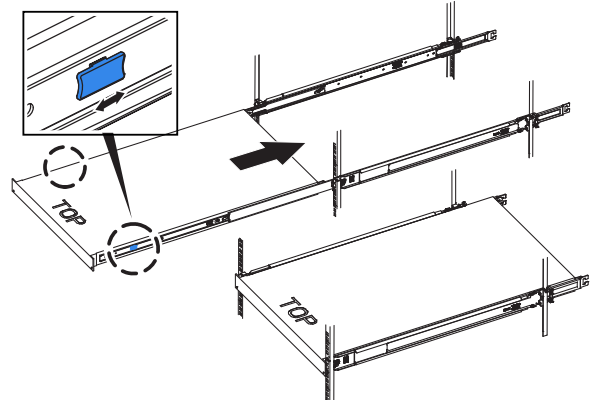
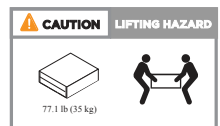
b. Install the node in the rack as follows:

- i. Extend the middle rail fully toward you.



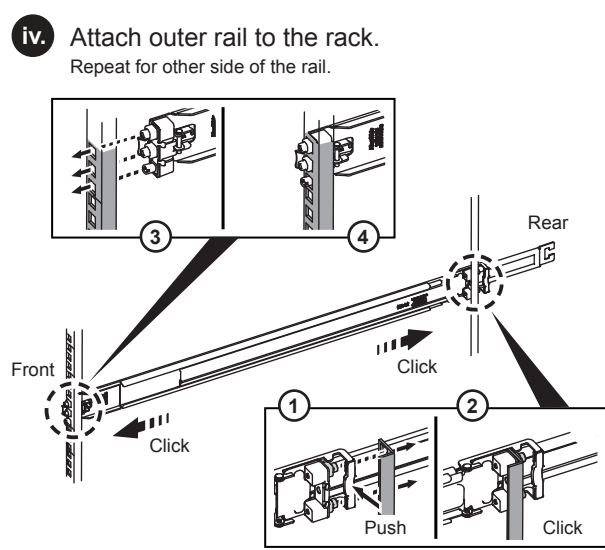
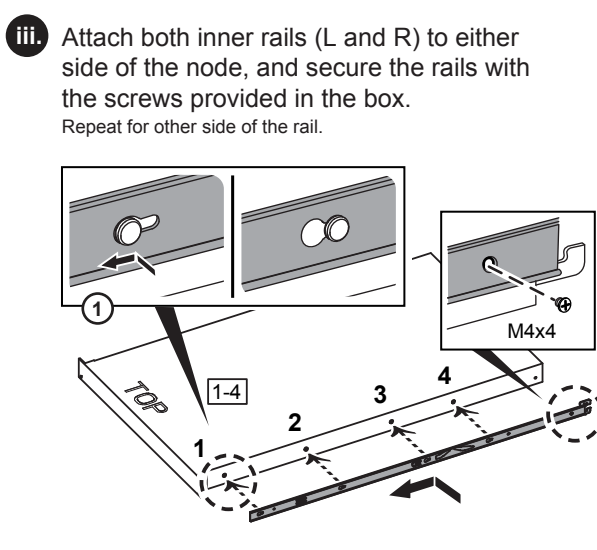
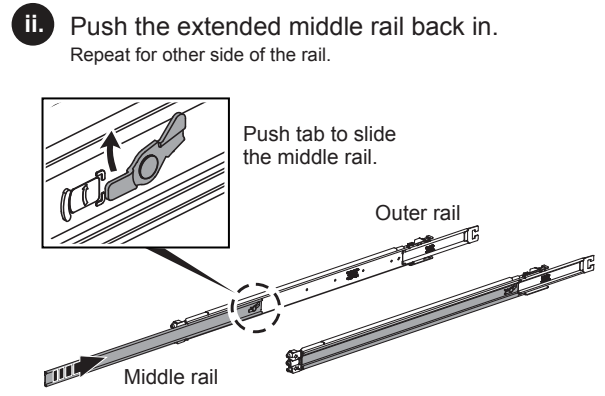
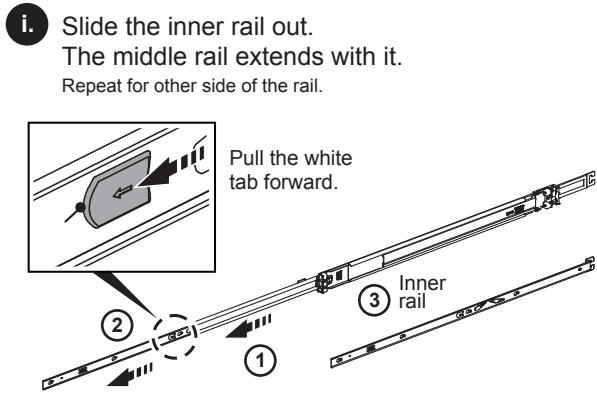
- ii. Insert the node.

Note: When the node stops moving further, pull the blue latches, one on each side of the node to slide the node all the way in.



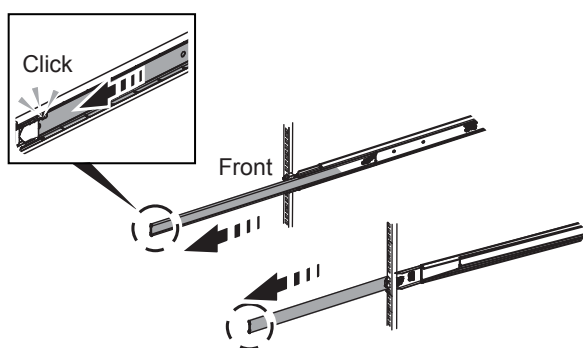
3. If you are installing rails for an H610S storage node, perform the following steps:

a. Install the rails as follows:



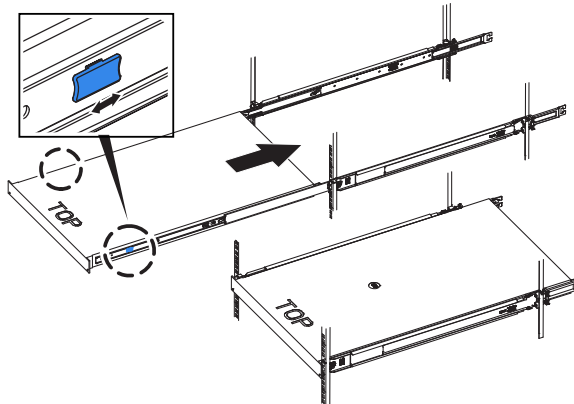
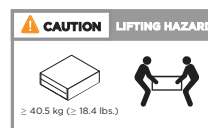
b. Install the node in the rack as follows:

i. Extend the middle rail fully toward you.



ii. Insert the node.

Note: When the node stops moving further, pull the blue latches, one on each side of the node to slide the node all the way in.



Contacting NetApp Support

If you need help with or have questions or comments about NetApp products, contact NetApp Support.

- Web:
mysupport.netapp.com
- Phone:
 - 888.4.NETAPP (888.463.8277) (US and Canada)
 - 00.800.44.638277 (EMEA/Europe)
 - +800.800.80.800 (Asia/Pacific)

Where to find product documentation and other information

You can learn more about using and managing NetApp HCI and SolidFire all-flash storage from the resources available in the Documentation Centers and Resources pages for both products.

In the Documentation Centers, you can also find information about hardware installation and maintenance, additional content resources available, links to known issues and resolved issues, and the latest release notes. On the Resources pages, you can find links to data sheets, technical reports, white papers, and videos.

- [NetApp HCI Documentation Center](#)
- [NetApp HCI Resources page](#)
- [SolidFire and Element 11.3 Documentation Center](#)
- [SolidFire Resources page](#)

Copyright

Copyright © 2019 NetApp, Inc. All rights reserved. Printed in the U.S.

No part of this document covered by copyright may be reproduced in any form or by any means—graphic, electronic, or mechanical, including photocopying, recording, taping, or storage in an electronic retrieval system—without prior written permission of the copyright owner.

Software derived from copyrighted NetApp material is subject to the following license and disclaimer:

THIS SOFTWARE IS PROVIDED BY NETAPP "AS IS" AND WITHOUT ANY EXPRESS OR IMPLIED WARRANTIES, INCLUDING, BUT NOT LIMITED TO, THE IMPLIED WARRANTIES OF MERCHANTABILITY AND FITNESS FOR A PARTICULAR PURPOSE, WHICH ARE HEREBY DISCLAIMED. IN NO EVENT SHALL NETAPP BE LIABLE FOR ANY DIRECT, INDIRECT, INCIDENTAL, SPECIAL, EXEMPLARY, OR CONSEQUENTIAL DAMAGES (INCLUDING, BUT NOT LIMITED TO, PROCUREMENT OF SUBSTITUTE GOODS OR SERVICES; LOSS OF USE, DATA, OR PROFITS; OR BUSINESS INTERRUPTION) HOWEVER CAUSED AND ON ANY THEORY OF LIABILITY, WHETHER IN CONTRACT, STRICT LIABILITY, OR TORT (INCLUDING NEGLIGENCE OR OTHERWISE) ARISING IN ANY WAY OUT OF THE USE OF THIS SOFTWARE, EVEN IF ADVISED OF THE POSSIBILITY OF SUCH DAMAGE.

NetApp reserves the right to change any products described herein at any time, and without notice. NetApp assumes no responsibility or liability arising from the use of products described herein, except as expressly agreed to in writing by NetApp. The use or purchase of this product does not convey a license under any patent rights, trademark rights, or any other intellectual property rights of NetApp.

The product described in this manual may be protected by one or more U.S. patents, foreign patents, or pending applications.

Data contained herein pertains to a commercial item (as defined in FAR 2.101) and is proprietary to NetApp, Inc. The U.S. Government has a non-exclusive, non-transferrable, non-sublicensable, worldwide, limited irrevocable license to use the Data only in connection with and in support of the U.S. Government contract under which the Data was delivered. Except as provided herein, the Data may not be used, disclosed, reproduced, modified, performed, or displayed without the prior written approval of NetApp, Inc. United States Government license rights for the Department of Defense are limited to those rights identified in DFARS clause 252.227-7015(b).

Trademark

NETAPP, the NETAPP logo, and the marks listed on the NetApp Trademarks page are trademarks of NetApp, Inc. Other company and product names may be trademarks of their respective owners.

<http://www.netapp.com/us/legal/netapptmlist.aspx>

How to send comments about documentation and receive update notifications

You can help us to improve the quality of our documentation by sending us your feedback. You can receive automatic notification when production-level (GA/FCS) documentation is initially released or important changes are made to existing production-level documents.

If you have suggestions for improving this document, send us your comments by email.

doccomments@netapp.com

To help us direct your comments to the correct division, include in the subject line the product name, version, and operating system.

If you want to be notified automatically when production-level documentation is released or important changes are made to existing production-level documents, follow Twitter account @NetAppDoc.

You can also contact us in the following ways:

- NetApp, Inc., 1395 Crossman Ave., Sunnyvale, CA 94089 U.S.
- Telephone: +1 (408) 822-6000
- Fax: +1 (408) 822-4501
- Support telephone: +1 (888) 463-8277