

NetApp cabinet rail kit installation instructions

This flyer describes how to install the NetApp® cabinet rails into the NetApp 42U system cabinet.

This flyer is used for multiple generations of NetApp cabinet rail kits, so the rails you are installing might look different than the ones shown in the illustrations. However, the fundamental rail design is the same. The front of the rail has a horizontally oriented hook. The rear of the rail has a vertically oriented hook and a hole for attaching the screw.

CAUTION

These rails are designed to be used only with NetApp equipment installed in NetApp system cabinets. Do not use them in any other manufacturers's system cabinet.

Important installation considerations

The following list specifies important points you must consider when installing the two rails.

- ◆ Always use the appropriate size mounting screws, as supplied with the rail kit.
- ◆ Do not over-tighten the screws when securing the rails or equipment in the rack.
- ◆ Rails are designated for use on the left or right side of the cabinet by design.

Installing the rails

1. Determine your space requirements in the system cabinet by completing the following substeps:
 - a. Determine the height, in inches, of your individual components.
 - b. Calculate the U space of each component, where 1U is equal to 1.75 inches (4.44 cm).
For example, a disk shelf that is 5.25 inches (13.33 cm) high requires 3U of space ($5.25 \text{ in} \div 1.75$) ($13.33 \text{ cm} \div 4.44$).
 - c. Use the grid at the end of this document to lay out your equipment.

Mark the bottom of each component in the grid as the location for installing each rail pair.

As a best practice, install your controller or controllers in the middle of the system cabinet, then install your disk shelves above and below your controller or controllers. Leave space at the top of the system cabinet for any switches you are installing.

Attention

When determining where to install your rails and place your equipment in your system cabinet, you must consider your equipment's total power consumption. See the *42U System Cabinet Guide* on the NetApp Support Site at support.netapp.com for formulas for calculating your power needs.

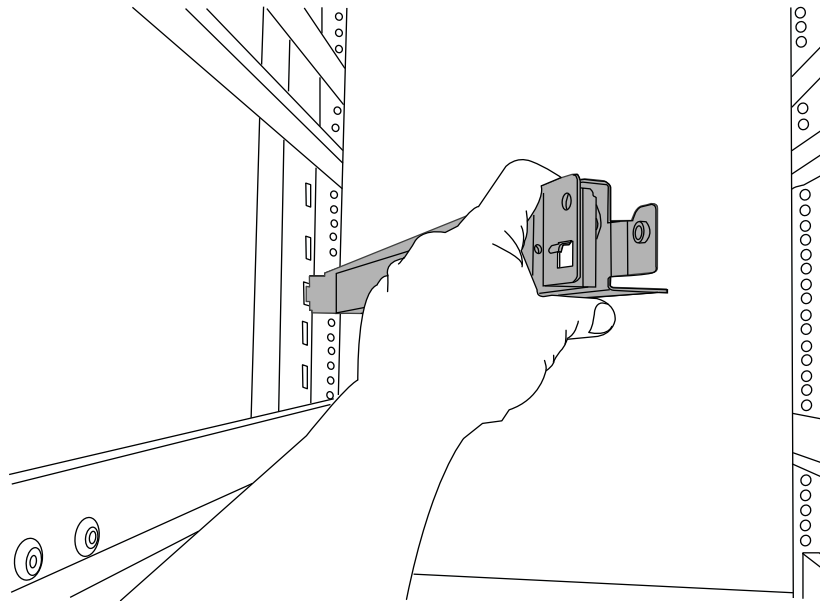
2. Mark the rail installation locations that you determined with the grid on the system cabinet uprights.

You can use the U-Line Ruler tool, located in the platform accessories kit, to help you align the installation locations.

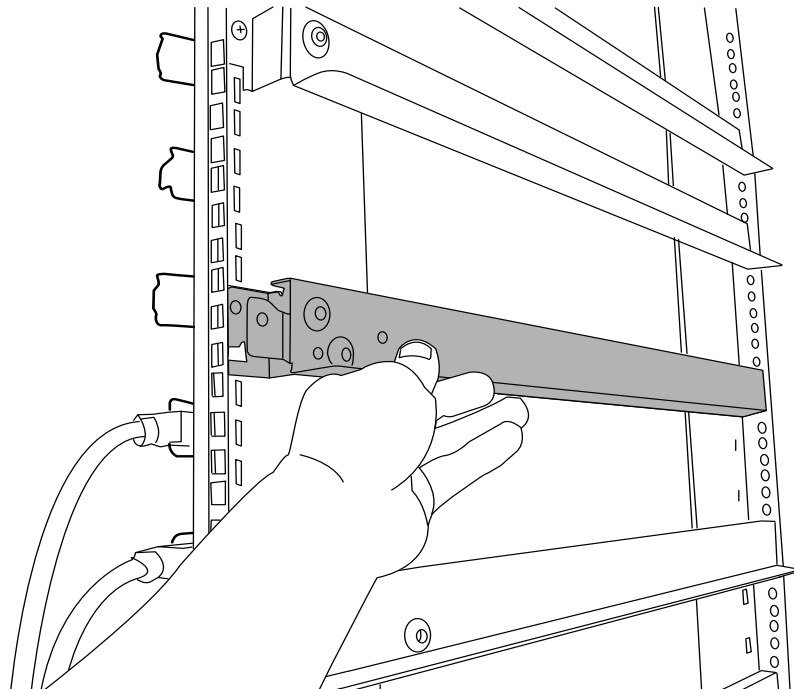
3. Install the rail in the marked locations by completing the following substeps, using the illustrations for reference. The view point of the installation is from the rear of the cabinet.
 - a. Locate the slots directly behind the system cabinet uprights.
 - b. Align the front of the rail with the correct U location you marked at the front of the system cabinet, and then slide it into the slot on the system cabinet upright.

Note

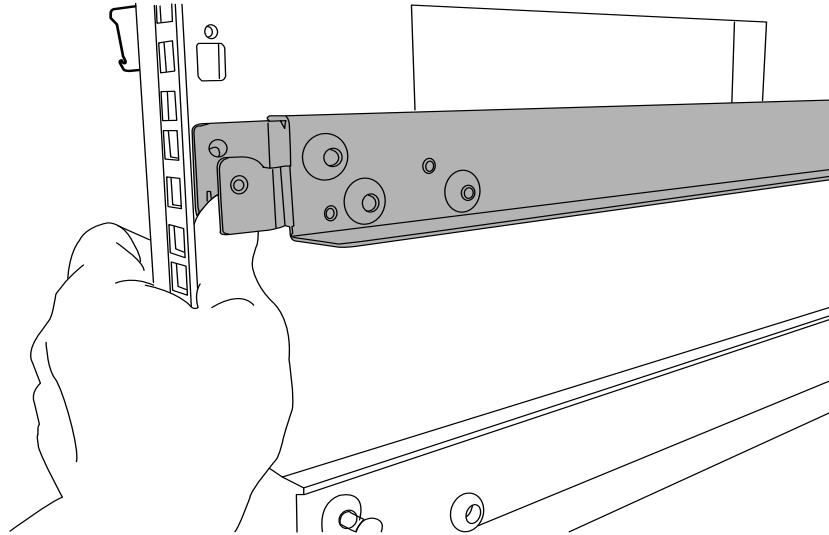
The rear of the system cabinet is opposite the NetApp logo on the system cabinet front door.



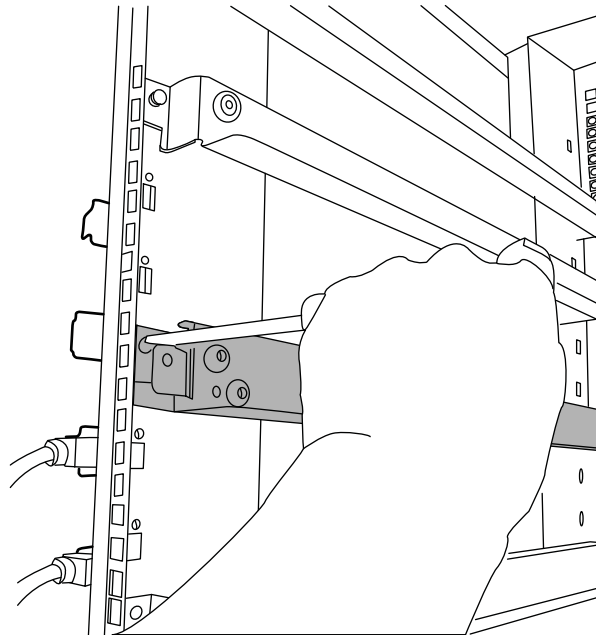
- c. Align the rear of the rail with the correct U location you marked on the rear system cabinet upright, and then slide the rail tab into the slot on the system cabinet upright.



- d. Using your thumb and forefinger at the bottom of the rail, pinch the rail to the system cabinet upright.



- e. Using your free hand, push the rail down and into place.
4. Align the screw hole in the rear of the rail with the screw hole in the system cabinet upright. Secure the rail to the upright with one self-tapping screw.



Attention

Make sure that the screw is fully seated and tightened with 20 in-lbs to 30 in-lbs torque.

5. Repeat [Step 3](#) and [Step 4](#) for the other rail, making sure that you install the rail in the same U location on the opposite upright.
6. Repeat [Step 3](#) through [Step 5](#) for the remaining rail pairs.

7. Install your equipment as described in the *42U System Cabinet Guide*.

The following is the grid used in Step 1c to lay out the equipment.

Location	Component
42	
41	
40	
39	
38	
37	
36	
35	
34	
33	
32	
31	
30	
29	
28	
27	
26	
25	
24	
23	
22	
21	
20	
19	
18	
17	
16	
15	
14	
13	
12	
11	
10	
9	
8	
7	
6	
5	
4	
3	
2	
1	