



Installing a Cisco® Nexus 5596 cluster switch and pass-through panel in a NetApp cabinet

These instructions describe how to install the Cisco Nexus 5596 switch and pass-through panel in a NetApp cabinet.

Before you begin

- Initial preparation, kit contents, and safety precautions for this procedure can be found in the [Cisco Nexus 5000 Series Hardware Installation Guide](#). It is recommended that you consult this guide before you begin.
- For each switch, you must supply the eight 10-32 or 12-24 screws and clip nuts to mount the brackets and slider rails to the front and rear cabinet posts.
- The front rack-mount brackets and M4 screws in the standard Cisco rail kit are reused. Only the rear slider rail(s) and guide(s) in the standard kit are discarded to install the switch in a NetApp cabinet.

Note: There are two sets of brackets and slider rails in the accessory kit. Use the one labeled for use with the 42U Deep Cabinet.

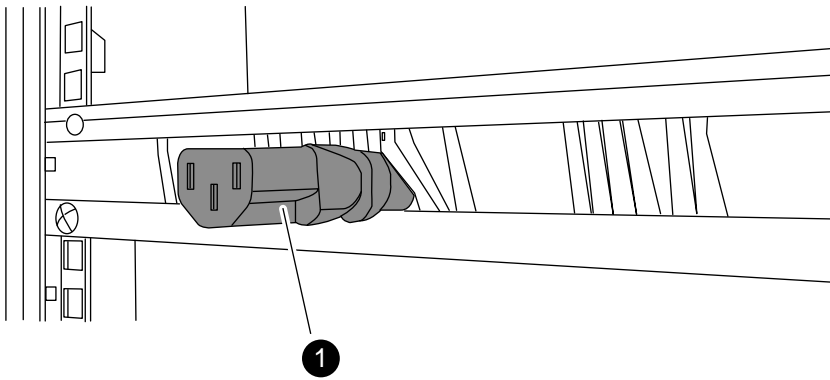
Steps

1. Install the pass-through blanking panel in the NetApp cabinet. The pass-through panel kit is available from NetApp (part number X8784-R6).

The NetApp pass-through panel kit contains:

- One pass-through blanking panel
 - Four 10-32×.75 screws
 - Four 10-32 clip nuts
- a) Determine the vertical location of the switches and blanking panel in the cabinet. For this installation the blanking panel will be installed in U38.
 - b) Install two clip nuts on each side in the appropriate square holes for front cabinet rails to install the pass-through blanking panel.
 - c) Place the blanking panel at the U38 position in the cabinet and loosely secure the blanking panel to the cabinet's front rails.
 - d) Center the panel vertically to prevent intrusion into adjacent rack space and tighten the screws.
 - e) Insert the female connectors of both 48-inch jumper cords from the rear of the panel and through the brush assembly.

Note: The jumper cords are not included with the pass-through kit and should be included with your switches. If they were not shipped with the switches, you can order them from NetApp (part number X1558A-R6).

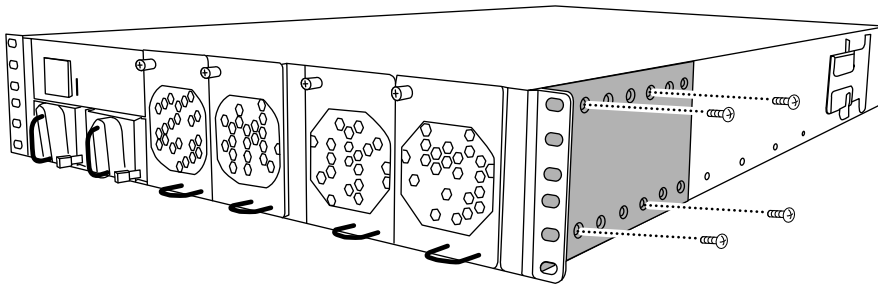


1. Female connector of the jumper cord.

2. Install the rack-mount brackets on the Nexus 5596 switch chassis.

a) Position a front rack-mount bracket on one side of the switch chassis so that the mounting ear is aligned with the chassis faceplate (on the PSU/fan side) as shown in the figure.

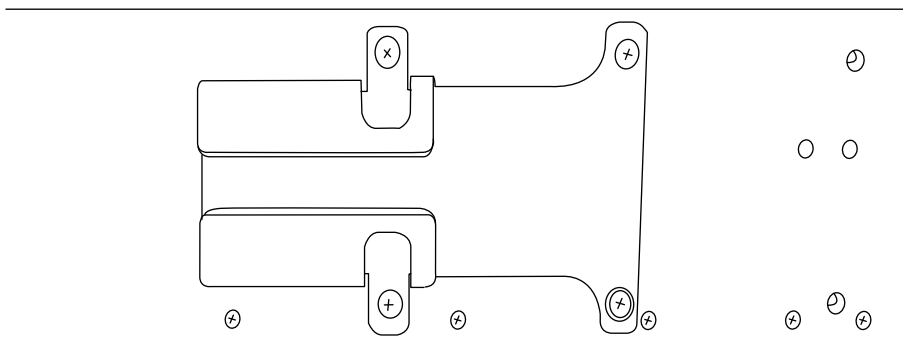
Use four M4 screws to attach the bracket to the chassis.



b) Repeat Step 1a with the other front rack-mount bracket on the other side of the switch.

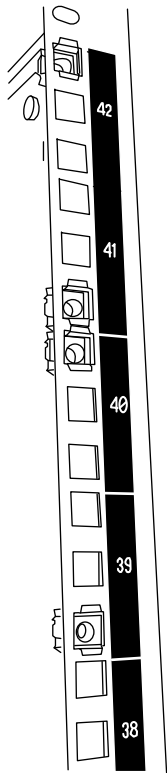
3. Install the rear rack-mount brackets on the switch chassis.

a) There are three sets of holes on each side of the chassis near the data port side of the switch. Position a rear rack-mount guide to align with the two forward-most sets of holes and attach the chassis with four M4 screws.



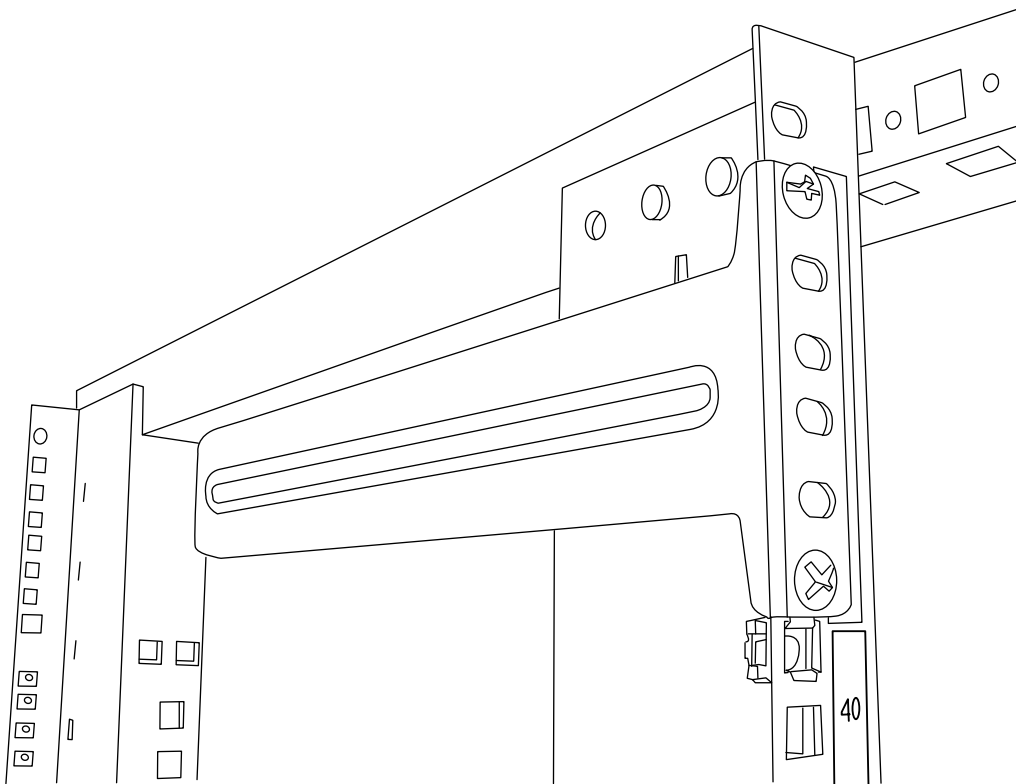
b) Repeat Step 2a with the other rear rack-mount bracket on the other side of the switch.

4. The two Nexus 5596 switches will always be mounted in the top 4U of the cabinet (U39 through U42), so install the clip nuts in the square hole locations shown in the figure for all four IEA posts.



5. Install the slider rails in the cabinet.

- a) Position the first slider rail at the RU41-42 mark on the back side of the read left post and insert screws with the matching thread type, then pitch to the clip nuts and then tighten them with your fingers.



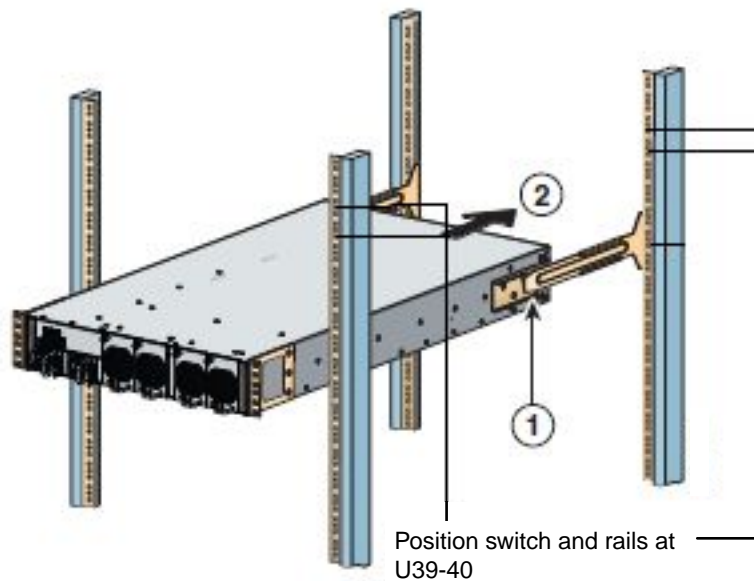
- b) Repeat Step 4a for the right side rear post.
- c) Repeat Steps 4a and 4b at the RU39 and RU40 locations on the cabinet.

6. Install the switch in the cabinet.

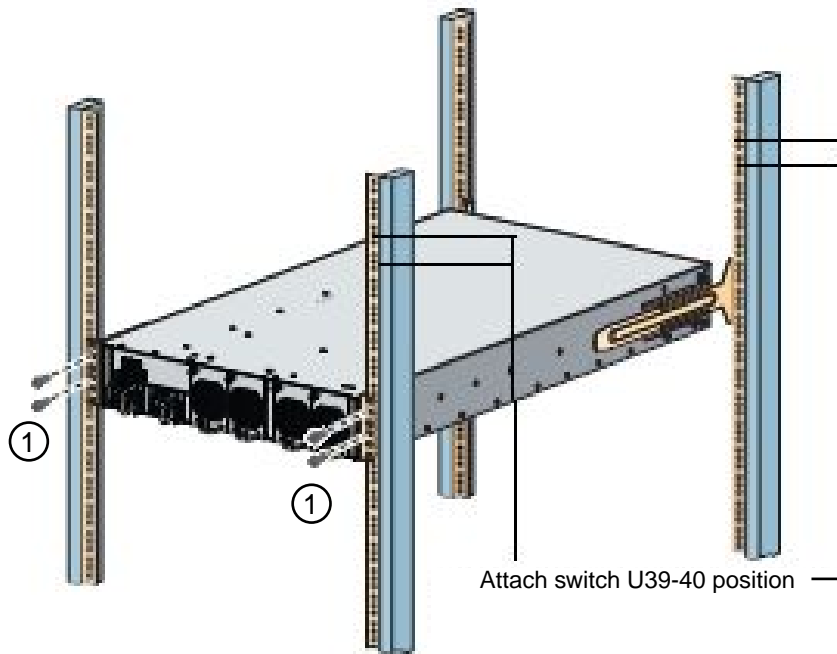
Note: This step requires two people: one person to support the switch from the front and another to guide the switch into the rear slider rails.

Note that if you previously installed the pass-through panel you can rest the switch on top of that panel. This saves the person in the front from having to fully support the front of the switch while the person in the rear is aligning the sliders with the guides.

- a) Position the back of the switch between the two front posts at the RU39 and RU40 mark.



- 1. As the chassis is pushed towards the rear posts, align the two rear rack-mount guides with the slider rails.
 - 2. Gently slide the switch until the front rack-mount brackets are flush with the front posts.
- b) Attach the switch to the cabinet.



1. With one person holding the front of the chassis level, the other person should fully tighten the four rear screws to the cabinet posts.
- c) With the chassis now supported without assistance, fully tighten the front screws to the posts.
- d) Repeat Steps 6a through 6c for the second switch at the RU41-42 location.

Note: By using the fully installed switch as a support, it is not necessary to hold the front of the second switch during the installation process.

7. When the switches are installed, connect the jumper cords to the switch power inlets.
 8. Connect the male plugs of both jumper cords to the closest available PDU outlets.
- Note:** To maintain redundancy, the two cords must be connected to different PDUs.
9. Connect the management port on each 5596 switch to either of the management switches (if ordered) or connect directly to your management network.

The management port is the upper right port located on the PSU side of the switch. The CAT6 cable for each switch will need to be routed through the pass-through panel after the switches are installed to connect to the management switches or management network.

How to send your comments

You can help us to improve the quality of our documentation by sending us your feedback.

Your feedback is important in helping us to provide the most accurate and high-quality information. If you have suggestions for improving this document, send us your comments by email to doccomments@netapp.com. To help us direct your comments to the correct division, include in the subject line the product name, version, and operating system.

You can also contact us in the following ways:

- NetApp, Inc., 495 East Java Drive, Sunnyvale, CA 94089 U.S.
- Telephone: +1 (408) 822-6000

- Fax: +1 (408) 822-4501
- Support telephone: +1 (888) 463-8277

Trademark information

NetApp, the NetApp logo, Network Appliance, the Network Appliance logo, Akorri, ApplianceWatch, ASUP, AutoSupport, BalancePoint, BalancePoint Predictor, Bycast, Campaign Express, ComplianceClock, Cryptainer, CryptoShred, Data ONTAP, DataFabric, DataFort, Decru, Decru DataFort, DenseStak, Engenio, Engenio logo, E-Stack, FAServer, FastStak, FilerView, FlexCache, FlexClone, FlexPod, FlexScale, FlexShare, FlexSuite, FlexVol, FPolicy, GetSuccessful, gFiler, Go further, faster, Imagine Virtually Anything, Lifetime Key Management, LockVault, Manage ONTAP, MetroCluster, MultiStore, NearStore, NetCache, NOW (NetApp on the Web), Onaro, OnCommand, ONTAPI, OpenKey, PerformanceStak, RAID-DP, ReplicatorX, SANscreen, SANshare, SANtricity, SecureAdmin, SecureShare, Select, Service Builder, Shadow Tape, Simplicity, Simulate ONTAP, SnapCopy, SnapDirector, SnapDrive, SnapFilter, SnapLock, SnapManager, SnapMigrator, SnapMirror, SnapMover, SnapProtect, SnapRestore, Snapshot, SnapSuite, SnapValidator, SnapVault, StorageGRID, StoreVault, the StoreVault logo, SyncMirror, Tech OnTap, The evolution of storage, Topio, vFiler, VFM, Virtual File Manager, VPolicy, WAFL, Web Filer, and XBB are trademarks or registered trademarks of NetApp, Inc. in the United States, other countries, or both.

IBM, the IBM logo, and ibm.com are trademarks or registered trademarks of International Business Machines Corporation in the United States, other countries, or both. A complete and current list of other IBM trademarks is available on the web at www.ibm.com/legal/copytrade.shtml.

Apple is a registered trademark and QuickTime is a trademark of Apple, Inc. in the United States and/or other countries. Microsoft is a registered trademark and Windows Media is a trademark of Microsoft Corporation in the United States and/or other countries. RealAudio, RealNetworks, RealPlayer, RealSystem, RealText, and RealVideo are registered trademarks and RealMedia, RealProxy, and SureStream are trademarks of RealNetworks, Inc. in the United States and/or other countries.

All other brands or products are trademarks or registered trademarks of their respective holders and should be treated as such.

NetApp, Inc. is a licensee of the CompactFlash and CF Logo trademarks.

NetApp, Inc. NetCache is certified RealSystem compatible.