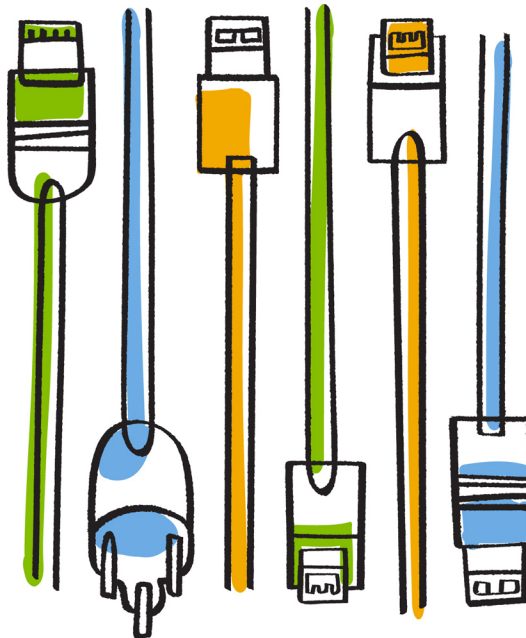




Updated for 8.2.3

FlexArray Virtualization

Implementation Guide for NetApp® E-Series Storage



NetApp, Inc.
495 East Java Drive
Sunnyvale, CA 94089
U.S.

Telephone: +1 (408) 822-6000
Fax: +1 (408) 822-4501
Support telephone: +1 (888) 463-8277
Web: www.netapp.com
Feedback: doccomments@netapp.com

Part number: 215-09721_A0
January 2015

Contents

Understanding E-Series storage implementation with Data ONTAP	4
Data ONTAP systems that can use array LUNs on storage arrays	7
Requirements for configuring E-Series storage arrays	8
Required host type for E-Series storage arrays	8
Supported fabric-attached configurations for E-Series storage	
arrays	10
Stand-alone basic configuration	10
Stand-alone with two 2-port array LUN groups	11
Single 4-port array LUN group	11
Two 4-port array LUN groups	12
Eight-port array LUN group configuration	13
Data ONTAP FC initiator port attaching to multiple targets ports	15
Supported direct-attached configurations for E-Series storage	
arrays	17
Two-port direct-attached stand-alone configurations	17
Four-port direct-attached HA pair configuration	18
Copyright information	19
Trademark information	20
How to send your comments	21
Index	22

Understanding E-Series storage implementation with Data ONTAP

Data ONTAP systems can be deployed with E-Series storage arrays. The E-Series storage array has back-end configuration requirements and limits on the supported configurations.

Information about Data ONTAP support for E-Series storage arrays

Not all Data ONTAP releases support the same features, configurations, storage array models, and Data ONTAP systems. During your deployment planning, you need to check Data ONTAP support information to ensure that the deployment conforms to Data ONTAP hardware and software requirements for all systems in the deployment.

Support information for deployments with E-Series storage arrays is included in the following documents:

Documents	Topics covered
<p>Interoperability Matrix at mysupport.netapp.com</p>	<p>Data ONTAP working with back-end devices, including the following:</p> <ul style="list-style-type: none"> • Supported storage arrays and storage array firmware • Supported switches and switch firmware • Whether your storage array supports nondisruptive (live) upgrade of the storage array firmware <p>Note: You can view information about advanced feature support for E-Series storage arrays with FlexArray Virtualization by referring to the appropriate notes on the <i>V-Series and FlexArray Virtualization for Back-end Storage</i> solution page of the Interoperability Matrix.</p>

Documents	Topics covered
<p><i>Hardware Universe</i> at hwu.netapp.com</p> <p>Note: Limits for Data ONTAP systems were previously provided in the <i>V-Series Limits Reference for Third-Party Storage</i> and <i>V-Series Support Matrix</i>.</p>	<p>Data ONTAP limits for releases and platforms, including the following:</p> <ul style="list-style-type: none"> • Minimum and maximum array LUN sizes including the minimum array LUN size for the root volume and spare array LUNs • Minimum aggregate size for aggregates with array LUNs • Minimum and maximum capacity • Neighborhood limits
<p><i>FlexArray Virtualization Installation Requirements and Reference Guide</i></p>	<p>Planning tasks for Data ONTAP implementation with E-Series, including:</p> <ul style="list-style-type: none"> • Planning the implementation • Connecting the Data ONTAP system and the array • Verifying the installation
<p>E-Series documentation</p>	<p>Information you may need when setting up the E-Series storage array could include the following:</p> <ul style="list-style-type: none"> • Site preparation requirements • Cabling instructions • SANtricity software installation and configuration instructions

Related documentation

The following documentation can be found at mysupport.netapp.com.

- *Hardware Universe* (formerly the *System Configuration Guide*)
- *FlexArray Virtualization Installation Requirements and Reference Guide*
- Interoperability Matrix at mysupport.netapp.com
- *E-Series Storage Systems Site Preparation Guide*
- *E-Series Storage Systems Hardware Cabling Guide*

- *SANtricity ES Storage Manager documentation*

Data ONTAP systems that can use array LUNs on storage arrays

V-Series (“V”) systems and new FAS platforms released in Data ONTAP 8.2.1 and later can use array LUNs if the proper license is installed. In discussions in the Data ONTAP and FlexArray Virtualization documentation, these systems are collectively referred to as Data ONTAP systems when it is necessary to make it clear which information applies to them and what information applies to storage arrays.

Note: Starting with Data ONTAP 8.2.1, the capability of using LUNs on a storage array, formerly identified as V-Series functionality, has a new name—*Data ONTAP FlexArray Virtualization Software*. The capability of using array LUNs continues to be available as a licensed feature in Data ONTAP.

Systems prior to Data ONTAP 8.2.1 that can use array LUNs

The only systems released prior to Data ONTAP 8.2.1 that can use array LUNs are V-Series systems—systems with a “V” or “GF” prefix. A V-Series system is an open storage controller that virtualizes storage from storage array vendors, native disks, or both into a single heterogeneous storage pool.

Note: Almost all Data ONTAP platforms released prior to Data ONTAP 8.2.1 were released with FAS and V-Series equivalent models (for example, a FAS6280 and a V6280). (For a few systems, there were no “V” equivalent models.) Although both types of models could access native disks, only the V-Series systems (a “V” or “GF” prefix) could attach to storage arrays.

Systems in Data ONTAP 8.2.1 and later that can use array LUNs

Starting with Data ONTAP 8.2.1, the model for how platforms are released and the storage they can use changes. Attaching to storage arrays is no longer limited to V-Series systems.

Starting with Data ONTAP 8.2.1, all new platforms are released as a single hardware model. This single hardware model has a FAS prefix; there are no longer separate “V” and FAS models for new platforms. If the V_StorageAttach license package is installed on a new FAS model, it can attach to storage arrays. (This is the same license required on a V-Series system.)

Important: FAS systems released prior to Data ONTAP 8.2.1 cannot use LUNs on storage arrays, even if they are upgraded to Data ONTAP 8.2.1 or later; only the “V” equivalent of a platform can use array LUNs.

Requirements for configuring E-Series storage arrays

There are system parameters that you must set and considerations to keep in mind when configuring a storage array to work with a Data ONTAP system.

Required host type for E-Series storage arrays

You must set the appropriate `host_type` option for the E-Series storage array to communicate with the Data ONTAP system. You can use SANtricity Storage Manager to set the host type.

For a given Data ONTAP release, you can set the required host type based on the version of the storage array firmware. The following tables list the host types that you can set based on the firmware versions:

Data ONTAP 8.2.3 and later releases in the Data ONTAP 8.2 release family

If your firmware version is...	Then set the host type to...
07.86.34.00 and later	ONTAP
08.10.14.00 and earlier	
08.10.15.00 and later	Data ONTAP (RDAC)
	Data ONTAP (ALUA)
08.20 and later	Data ONTAP (ALUA)

Note: The minimum supported version of SANtricity Storage Manager for firmware version 08.10.15.00 and later is 11.10.0G00.0026.

Data ONTAP 8.2.2 and earlier releases in the Data ONTAP 8.2 release family

If your firmware version is...	Then set the host type to...
07.86.34.00 and later	ONTAP
08.10.14.00 and earlier	
08.10.15.00 and later	Data ONTAP (RDAC)

Data ONTAP 8.1 release family starting with Data ONTAP 8.1.2

If your firmware version is...	Then set the host type to...
07.86.29.00 and earlier	AIX
07.86.34.00 and later	ONTAP
08.10.14.00 and earlier	
08.10.15.00 and later	Data ONTAP (RDAC)

Supported fabric-attached configurations for E-Series storage arrays

Only certain fabric-attached configurations of E-Series storage arrays deployed with Data ONTAP system are supported.

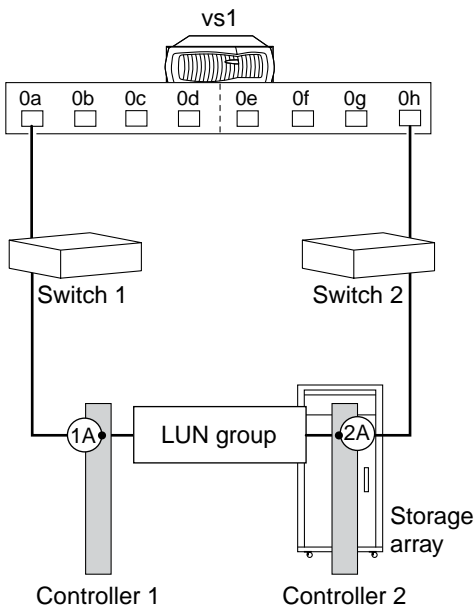
For additional information about specific array model configurations, see the Interoperability Matrix at mysupport.netapp.com.

Stand-alone basic configuration

The stand-alone basic configuration of a Data ONTAP system that uses array LUNs is a simple, fabric-attached configuration with a single FC initiator port pair accessing a single LUN group.

This configuration is supported for use with all storage arrays listed in the *Interoperability Matrix* as supported for the release and mode of Data ONTAP running on your system.

The following illustration shows this configuration:

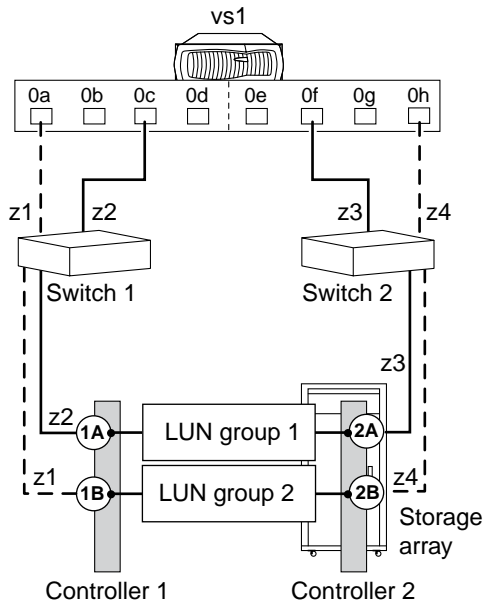


Stand-alone with two 2-port array LUN groups

In a stand-alone Data ONTAP system which is in a fabric-attached simple configuration, each FC initiator port pair present on the Data ONTAP system accesses a separate array LUN group.

This configuration is supported for use with all storage arrays listed in the *Interoperability Matrix* as supported for the release and mode of Data ONTAP running on your system.

The following illustration shows this configuration:

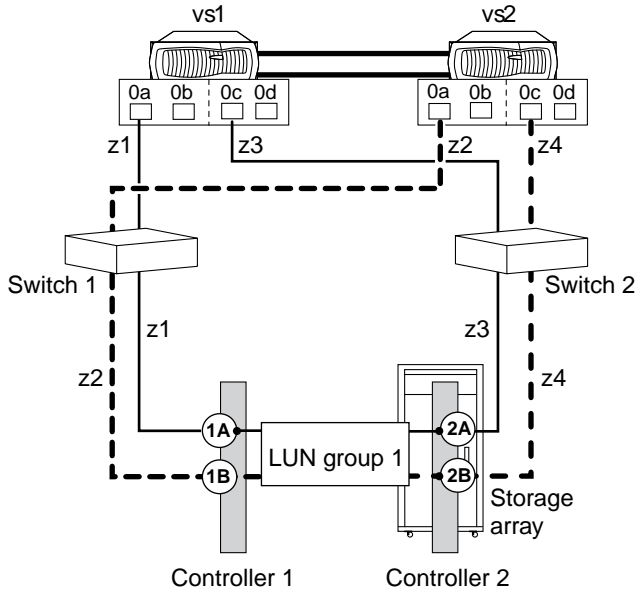


Single 4-port array LUN group

This configuration contains a single, 4-port LUN group with each target port accessed by a single Data ONTAP FC initiator port from the HA pair. Zoning ensures that there are only two paths to a specific array LUN from each Data ONTAP system.

This configuration is supported for use with all storage arrays listed in the *Interoperability Matrix* as supported for the release and mode of Data ONTAP running on your system.

The following illustration shows this configuration:

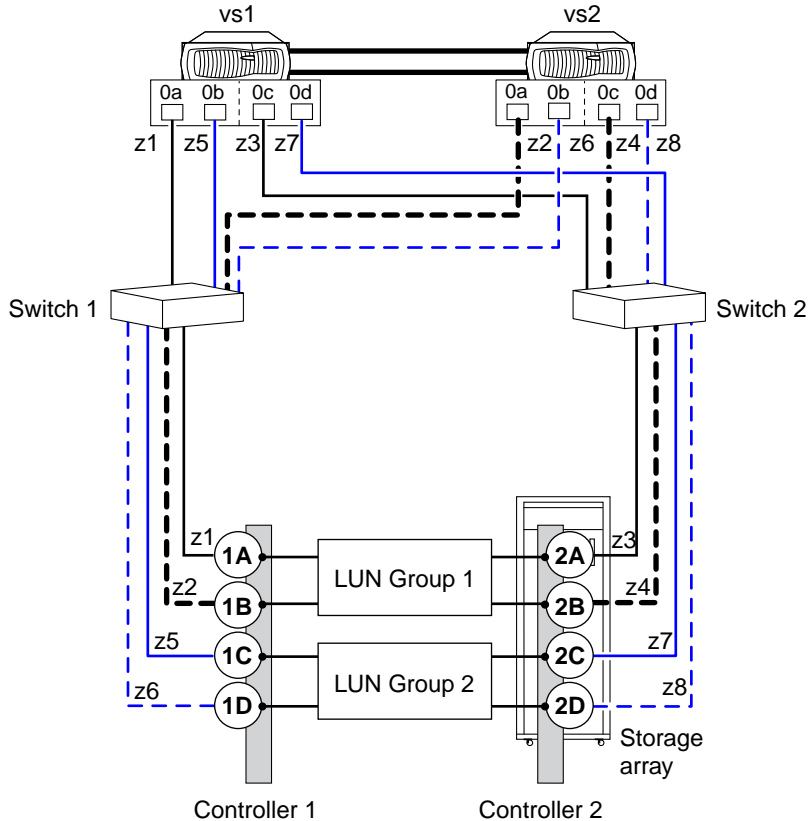


Two 4-port array LUN groups

In this configuration, each Data ONTAP FC initiator port pair accesses a separate array LUN group. The zoning is a single Data ONTAP FC initiator to a single array target port.

This configuration is supported for use with all storage arrays listed in the *Interoperability Matrix* as supported for the release and mode of Data ONTAP running on your system.

The following illustration shows a block diagram of this configuration:



Eight-port array LUN group configuration

Starting in Data ONTAP 8.2, an eight-port LUN group configuration is supported on clustered V-Series systems and, starting in Data ONTAP 8.2.1, also on Data ONTAP systems that can use array LUNs.

This configuration is supported for use with all storage arrays listed in the *Interoperability Matrix* as supported for the release and mode of Data ONTAP running on your system.

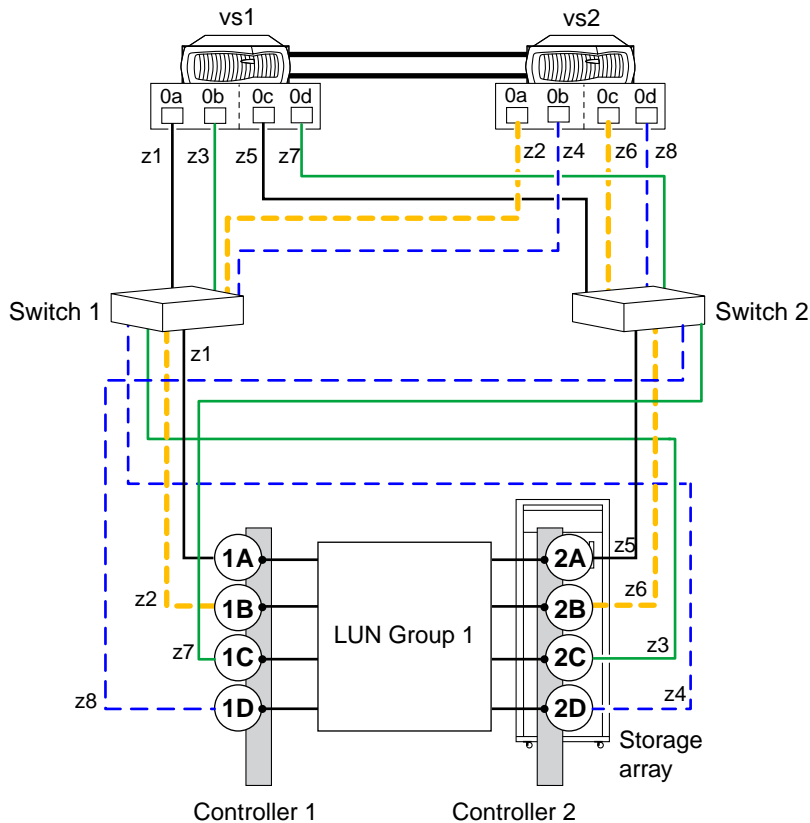
There are two ways of deploying this configuration: crossed and uncrossed back-end connections.

Crossed back-end connections

In this configuration with the back-end connections crossed, the FC connections from the same storage array controller go to both fabric switches (redundant).

In this illustration of crossed back-end connections, note how the nodes are attached to the switches and to the storage array. Vs1 uses switch 1 when attaching to the storage array Controller 1 port 1A and Controller 2 port 2C, and uses switch 2 when attaching to storage array Controller 2 ports 2A and

Controller 1 port 1C. This optimizes the use of switch ports and array ports, which reduces the impact of a switch or storage array controller failure.

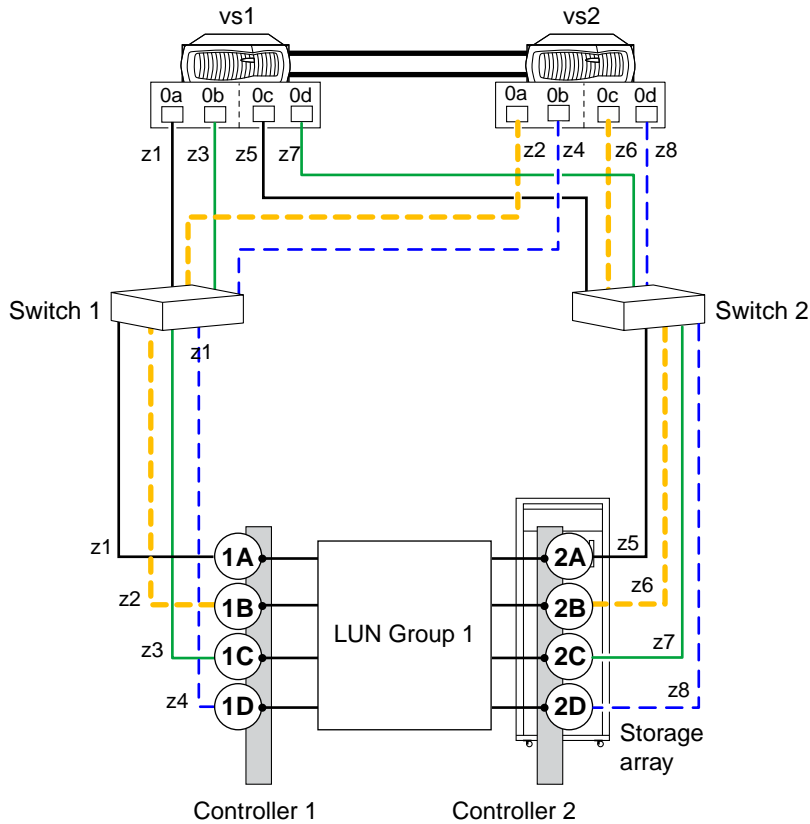


Note: The following problem can occur with Active-Passive storage arrays in crossed back-end connections: If one of the fabric switches is taken offline or goes down and a path failure from both Data ONTAP systems occurs, the Data ONTAP systems panic even though the alternate path from each system is still online. For example, if switch 2 is down and the "0b" paths on both vs1 and vs2 go down, vs1 and vs2 panic even though the "0a" paths are still online.

Back-end connections are not crossed

In this configuration in which the back-end connections are not crossed, the FC connections from the same storage array controller go to only one fabric switch.

The following illustration shows this configuration when the back-end connections are not crossed.



Data ONTAP FC initiator port attaching to multiple target ports

Starting in Data ONTAP 8.2, a Data ONTAP FC initiator port can be attached to multiple target ports on separate storage arrays within the same family. The *FlexArray Virtualization Installation Requirements and Reference Guide* contains the rules for setting up this configuration. This configuration is not supported with MetroCluster configurations.

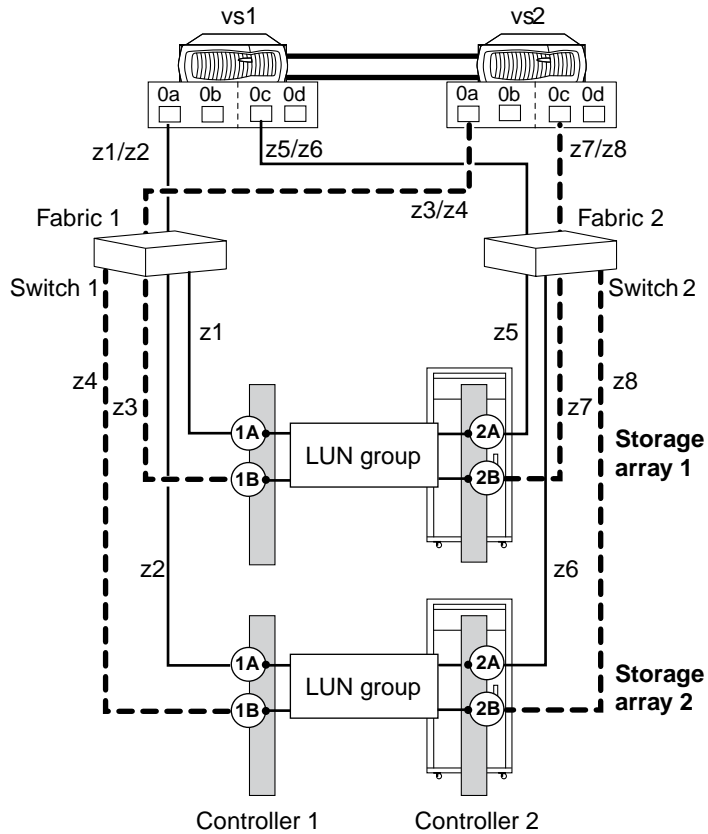
This configuration is supported for use with all storage arrays listed in the *Interoperability Matrix* as supported for the release and mode of Data ONTAP running on your system.

The following illustration shows a shared Data ONTAP FC initiator port configuration with an HA pair. However, sharing an FC initiator port with multiple target ports is supported with both stand-alone systems and HA pairs.

For details about sharing an FC initiator port with multiple target ports and zoning, see the information in the *FlexArray Virtualization Installation Requirements and Reference Guide*.

One Data ONTAP FC initiator port connecting to target ports on *separate* storage arrays

The following example shows an HA pair in which a single Data ONTAP FC initiator port connects to multiple target ports on different storage arrays:



Supported direct-attached configurations for E-Series storage arrays

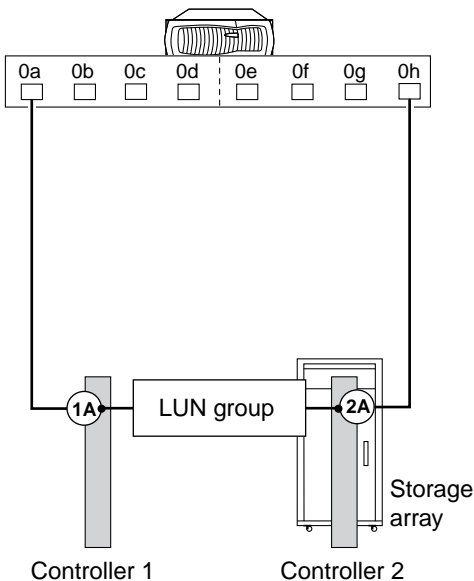
Only certain direct-attached configurations of E-Series storage arrays deployed with Data ONTAP system are supported.

For additional information about specific array model configurations, see the Interoperability Matrix at mysupport.netapp.com.

Two-port direct-attached stand-alone configurations

Starting with Data ONTAP 8.2.1, direct-attached configurations are supported on E-Series storage arrays.

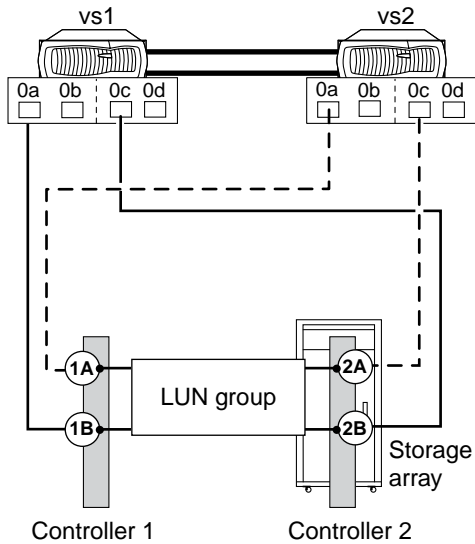
Two Data ONTAP FC initiator ports provide access to LUNs on the storage array.



Four-port direct-attached HA pair configuration

Starting with Data ONTAP 8.2.1, direct-attached configurations are supported on E-Series storage arrays.

The illustration shows a direct-attached HA pair with four Data ONTAP FC initiator ports providing access to array LUNs on the storage array.



Copyright information

Copyright © 1994–2015 NetApp, Inc. All rights reserved. Printed in the U.S.

No part of this document covered by copyright may be reproduced in any form or by any means—graphic, electronic, or mechanical, including photocopying, recording, taping, or storage in an electronic retrieval system—without prior written permission of the copyright owner.

Software derived from copyrighted NetApp material is subject to the following license and disclaimer:

THIS SOFTWARE IS PROVIDED BY NETAPP "AS IS" AND WITHOUT ANY EXPRESS OR IMPLIED WARRANTIES, INCLUDING, BUT NOT LIMITED TO, THE IMPLIED WARRANTIES OF MERCHANTABILITY AND FITNESS FOR A PARTICULAR PURPOSE, WHICH ARE HEREBY DISCLAIMED. IN NO EVENT SHALL NETAPP BE LIABLE FOR ANY DIRECT, INDIRECT, INCIDENTAL, SPECIAL, EXEMPLARY, OR CONSEQUENTIAL DAMAGES (INCLUDING, BUT NOT LIMITED TO, PROCUREMENT OF SUBSTITUTE GOODS OR SERVICES; LOSS OF USE, DATA, OR PROFITS; OR BUSINESS INTERRUPTION) HOWEVER CAUSED AND ON ANY THEORY OF LIABILITY, WHETHER IN CONTRACT, STRICT LIABILITY, OR TORT (INCLUDING NEGLIGENCE OR OTHERWISE) ARISING IN ANY WAY OUT OF THE USE OF THIS SOFTWARE, EVEN IF ADVISED OF THE POSSIBILITY OF SUCH DAMAGE.

NetApp reserves the right to change any products described herein at any time, and without notice. NetApp assumes no responsibility or liability arising from the use of products described herein, except as expressly agreed to in writing by NetApp. The use or purchase of this product does not convey a license under any patent rights, trademark rights, or any other intellectual property rights of NetApp.

The product described in this manual may be protected by one or more U.S. patents, foreign patents, or pending applications.

RESTRICTED RIGHTS LEGEND: Use, duplication, or disclosure by the government is subject to restrictions as set forth in subparagraph (c)(1)(ii) of the Rights in Technical Data and Computer Software clause at DFARS 252.277-7103 (October 1988) and FAR 52-227-19 (June 1987).

Trademark information

NetApp, the NetApp logo, Go Further, Faster, ASUP, AutoSupport, Campaign Express, Cloud ONTAP, clustered Data ONTAP, Customer Fitness, Data ONTAP, DataMotion, Fitness, Flash Accel, Flash Cache, Flash Pool, FlashRay, FlexArray, FlexCache, FlexClone, FlexPod, FlexScale, FlexShare, FlexVol, FPolicy, GetSuccessful, LockVault, Manage ONTAP, Mars, MetroCluster, MultiStore, NetApp Insight, OnCommand, ONTAP, ONTAPI, RAID DP, SANtricity, SecureShare, Simplicity, Simulate ONTAP, Snap Creator, SnapCopy, SnapDrive, SnapIntegrator, SnapLock, SnapManager, SnapMirror, SnapMover, SnapProtect, SnapRestore, Snapshot, SnapValidator, SnapVault, StorageGRID, Tech OnTap, Unbound Cloud, and WAFL are trademarks or registered trademarks of NetApp, Inc., in the United States, and/or other countries. A current list of NetApp trademarks is available on the web at <http://www.netapp.com/us/legal/netapptmlist.aspx>.

Cisco and the Cisco logo are trademarks of Cisco in the U.S. and other countries. All other brands or products are trademarks or registered trademarks of their respective holders and should be treated as such.

How to send your comments

You can help us to improve the quality of our documentation by sending us your feedback.

Your feedback is important in helping us to provide the most accurate and high-quality information. If you have suggestions for improving this document, send us your comments by email to doccomments@netapp.com. To help us direct your comments to the correct division, include in the subject line the product name, version, and operating system.

You can also contact us in the following ways:

- NetApp, Inc., 495 East Java Drive, Sunnyvale, CA 94089 U.S.
- Telephone: +1 (408) 822-6000
- Fax: +1 (408) 822-4501
- Support telephone: +1 (888) 463-8277

Index

8-port array LUN group configuration
support for [13](#)

A

array LUNs
systems running Data ONTAP that can use [7](#)

C

comments
how to send feedback about documentation [21](#)
configuration requirements
E-Series storage arrays [8](#)
where to get information about Data ONTAP
systems and E-Series [4](#)
configurations
where to get information about supported Data
ONTAP systems and E-Series [4](#)
configurations supported with storage arrays
8-port array LUN group [13](#)
FC initiator port attaching to multiple targets ports
[15](#)
four-port direct-attached HA pair [18](#)
single 4-port array LUN group [11](#)
stand-alone basic configuration [10](#)
stand-alone with two 2-port array LUN groups [11](#)
two 4-port array LUN groups [12](#)
two-port direct-attached stand-alone [17](#)

D

documentation
how to send feedback about [21](#)

E

E-Series
setting the host type [8](#)
E-Series storage arrays
configuration requirements [8](#)
supported direct-attached configurations [17](#)
supported fabric-attached configurations [10](#)

F

FC initiator ports
sharing target ports
supported configuration [15](#)
feedback
how to send comments about documentation [21](#)
four-port direct-attached HA pair configuration
support for [18](#)

H

host type
settings for E-Series [8](#)

I

information
how to send feedback about improving
documentation [21](#)
initiator ports
sharing with multiple target ports
supported configuration [15](#)

L

LUNs (array)
systems running Data ONTAP that can use [7](#)
LUNs, array
See LUNs (array)

P

ports
sharing initiator port with target ports
supported configuration [15](#)

S

shared FC initiator target ports
supported configuration [15](#)
single 4-port array LUN group configuration
support for [11](#)
stand-alone basic configuration
support for [10](#)

- stand-alone with two 2-port array LUN groups
 - configuration
 - support for [11](#)
- suggestions
 - how to send feedback about documentation [21](#)
- supported configurations
 - where to get information about Data ONTAP systems and E-Series [4](#)
- supported configurations with storage arrays
 - 8-port array LUN group [13](#)
 - FC initiator port attaching to multiple targets ports [15](#)
 - four-port direct-attached HA pair [18](#)
 - single 4-port array LUN group [11](#)
 - stand-alone basic configuration [10](#)
 - stand-alone with two 2-port array LUN groups [11](#)
 - two 4-port array LUN groups [12](#)
 - two-port direct-attached stand-alone [17](#)
- supported direct-attached configurations
 - E-Series storage arrays [17](#)
- supported fabric-attached configurations

- E-Series storage arrays [10](#)

T

- two 4-port array LUN groups configuration
 - support for [12](#)
- two-port direct-attached stand-alone configuration
 - support for [17](#)

V

- V-Series functionality
 - name change to FlexArray Virtualization [7](#)
- V-Series systems
 - See* LUNs (array)

Z

- zoning
 - shared FC initiator port supported configuration [15](#)