



NetApp®

Replacing a Failed Fan Canister in the E2760 Controller-Drive Tray

Before you replace the fan canister in the E2760 controller-drive tray gather antistatic protection and a replacement fan canister.

To access this product, go to the NetApp Support Site at support.netapp.com.

ATTENTION Possible equipment damage due to overheating – If you perform this procedure with the power turned on, you must complete it within 15 minutes to prevent the possibility of overheating the equipment.

You can determine whether you have a failed fan canister in two ways:

- The Recovery Guru directs you to replace a failed fan canister.
- You locate the failed fan canister by checking the amber Fan Service Action Required LED.

ATTENTION Possible hardware damage – To prevent electrostatic discharge damage to the tray, use proper antistatic protection when handling tray components.

[Removing a Fan Canister from the E2760 Controller-Drive Tray](#)

[Installing a Fan Canister in the E2760 Controller-Drive Tray](#)

Removing a Fan Canister from the E2760 Controller-Drive Tray

1. Gather support data about your storage array by using one of these methods:
 - Use the storage management software to collect and save a support bundle of your storage array. From the Array Management Window toolbar, select **Monitor > Health > Collect Support Data Manually**. Then either browse or name and specify a location on your system where you want to store the support bundle.
 - Use the command line interface (CLI) to run the `save storageArray supportData` command to gather comprehensive support data about the storage array. For more information about this command, refer to *Command Line Interface and Script Commands for Version 11.10*. Running this command can temporarily impact performance on your storage array.
2. Did the Recovery Guru direct you to replace a failed fan canister?
 - **Yes** – Go to step [3](#).
 - **No** – Run the Recovery Guru to identify the failed component.

ATTENTION Possible equipment damage – To avoid taking the wrong fan canister offline, contact your Technical Support Representative before performing step [3](#).

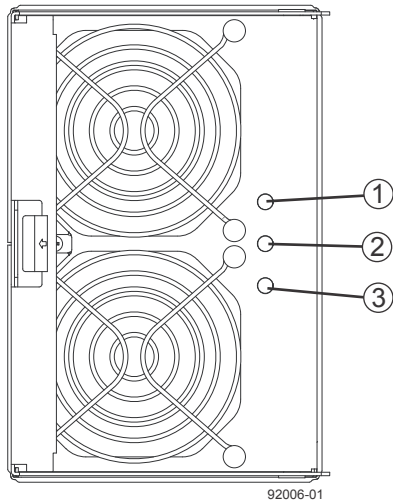
3. If the Recovery Guru has directed you to replace the fan canister and the blue Fan Service Action Allowed LED is not on, prepare the fan canister for removal using the command line, or the GUI.
 - a. On the command line, type this command, and press Enter:

```
SMcli <ctrl_IP1> <ctrl_IP2> -c "Set tray [trayID] fanCanister [left|right]
service Allowed Indicator=on;"
```

In this command:

- <ctrl_IP1> <ctrl_IP2> are the identifiers of the controllers in the controller-drive tray.
 - [trayID] is the identifier of the controller-drive tray that contains the fan canister you want to replace. controller-drive tray ID values are 0 to 99. Be sure to type the square brackets around the identifier.
 - [left|right] is the identifier of the fan canister you want to replace. Valid values are left or right. Be sure to type the square brackets around the value.
- b. On the GUI, click on the image of the tray that contains the fan canister you want to replace. From the Array Management Window toolbar, select **Hardware > Prepare for Removal**.
4. Put on antistatic protection.
 5. Unpack the new fan canister.
 - a. Set the new fan canister on a flat, static-free surface near the controller-drive tray.
 - b. Save all packing materials in case you need to return the fan canister.
 6. Check the Fan Service Action Required LED to locate the failed fan canister (Figure 1).

Figure 1. LEDs on a Fan Canister

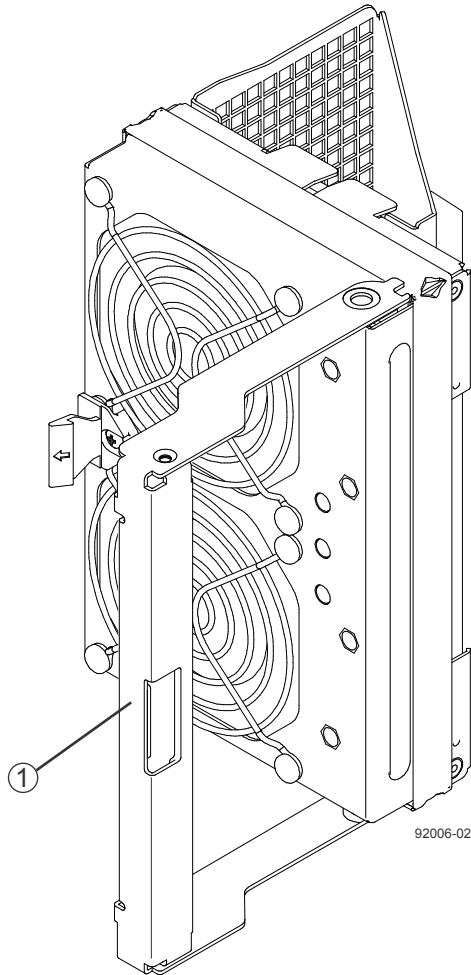


1. Fan Power LED (Green)
2. Fan Service Action Required LED (Amber)
3. Fan Service Action Allowed LED (Blue)

If a fault is detected, the amber Fan Service Action Required LED is on. Before you can safely remove the fan canister, the blue Fan Service Action Allowed LED must be on.

7. Remove the fan canister from the drive tray (Figure 2) by pressing on the tab holding the fan canister handle in place, and then pulling the fan canister toward you.

Figure 2. Removing a Fan Canister



1. Fan Canister Handle

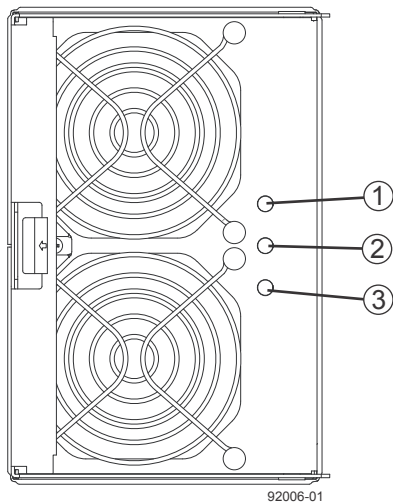
8. Use the fan canister handle to pull the fan canister out of the controller-drive tray.

Installing a Fan Canister in the E2760 Controller-Drive Tray

1. Put on antistatic protection.
2. Slide the replacement fan canister all the way into the controller-drive tray and then move the fan canister in so that the tab on the fan canister latches.

3. Check the Fan Power LED and Fan Service Action Required LED on the new fan canister (Figure 3).

Figure 3. LEDs on a Fan Canister



1. Fan Power LED (Green)
 2. Fan Service Action Required LED (Amber)
 3. Fan Service Action Allowed LED (Blue)
4. Based on the LED status, perform one of these actions:
 - **The Fan Power LED is on, and the Fan Service Action Required LED is off** – Go to step [6](#).
 - **The Fan Power LED is off, or the Fan Service Action Required LED is on** – Check that the fan canister is installed correctly. Reinstall the fan canister. Go to step [5](#).
 5. Did this action correct the problem?
 - **Yes** – Go to step [6](#).
 - **No** – If the problem has not been resolved, contact your Technical Support Representative.
 6. Check the status of all of the trays in the storage array.
 7. Does any component have a Needs Attention status?
 - **Yes** – Click the **Recovery Guru** toolbar button in the Array Management Window, and complete the recovery procedure. If the problem has not been resolved, contact your Technical Support Representative.
 - **No** – Go to step [8](#).
 8. Remove the antistatic protection.
 9. Gather support data about your updated storage array by using one of these methods:
 - Use the storage management software to collect and save a support bundle of your storage array. From the Array Management Window toolbar, select **Monitor > Health > Collect Support Data Manually**. Then either browse or name and specify a location on your system where you want to store the support bundle.
 - Use the CLI to run the `save storageArray supportData` command to gather comprehensive support data about the storage array. For more information about this command, refer to *Command Line Interface and Script Commands for Version 11.10*. Running this command can temporarily impact performance on your storage array.

Trademark information

NetApp, the NetApp logo, Network Appliance, the Network Appliance logo, Akorri, ApplianceWatch, ASUP, AutoSupport, BalancePoint, BalancePoint Predictor, Bycast, Campaign Express, ComplianceClock, Cryptainer, CryptoShred, Data ONTAP, DataFabric, DataFort, Decru, Decru DataFort, DenseStak, Engenio, Engenio logo, E-Stack, FAServer, FastStak, FilerView, FlexCache, FlexClone, FlexPod, FlexScale, FlexShare, FlexSuite, FlexVol, FPolicy, GetSuccessful, gFiler, Go further, faster, Imagine Virtually Anything, Lifetime Key Management, LockVault, Manage ONTAP, MetroCluster, MultiStore, NearStore, NetCache, NOW (NetApp on the Web), Onaro, OnCommand, ONTAPI, OpenKey, PerformanceStak, RAID-DP, ReplicatorX, SANscreen, SANshare, SANtricity, SecureAdmin, SecureShare, Select, Service Builder, Shadow Tape, Simplicity, Simulate ONTAP, SnapCopy, SnapDirector, SnapDrive, SnapFilter, SnapLock, SnapManager, SnapMigrator, SnapMirror, SnapMover, SnapProtect, SnapRestore, Snapshot, SnapSuite, SnapValidator, SnapVault, StorageGRID, StoreVault, the StoreVault logo, SyncMirror, Tech OnTap, The evolution of storage, Topio, vFiler, VFM, Virtual File Manager, VPolicy, WAFL, Web Filer, and XBB are trademarks or registered trademarks of NetApp, Inc. in the United States, other countries, or both.

IBM, the IBM logo, and ibm.com are trademarks or registered trademarks of International Business Machines Corporation in the United States, other countries, or both. A complete and current list of other IBM trademarks is available on the Web at www.ibm.com/legal/copytrade.shtml.

Apple is a registered trademark and QuickTime is a trademark of Apple, Inc. in the U.S.A. and/or other countries. Microsoft is a registered trademark and Windows Media is a trademark of Microsoft Corporation in the U.S.A. and/or other countries. RealAudio, RealNetworks, RealPlayer, RealSystem, RealText, and RealVideo are registered trademarks and RealMedia, RealProxy, and SureStream are trademarks of RealNetworks, Inc. in the U.S.A. and/or other countries.

All other brands or products are trademarks or registered trademarks of their respective holders and should be treated as such.

NetApp, Inc. is a licensee of the CompactFlash and CF Logo trademarks.

NetApp, Inc. NetCache is certified RealSystem compatible.

How to send your comments

You can help us to improve the quality of our documentation by sending us your feedback.

Your feedback is important in helping us to provide the most accurate and high-quality information. If you have suggestions for improving this document, send us your comments by email to doccomments@netapp.com. To help us direct your comments to the correct division, include in the subject line the product name, version, and operating system.

You can also contact us in the following ways:

- NetApp, Inc., 495 East Java Drive, Sunnyvale, CA 94089 U.S.
- Telephone: +1 (408) 822-6000
- Fax: +1 (408) 822-4501
- Support telephone: +1 (888) 463-8277